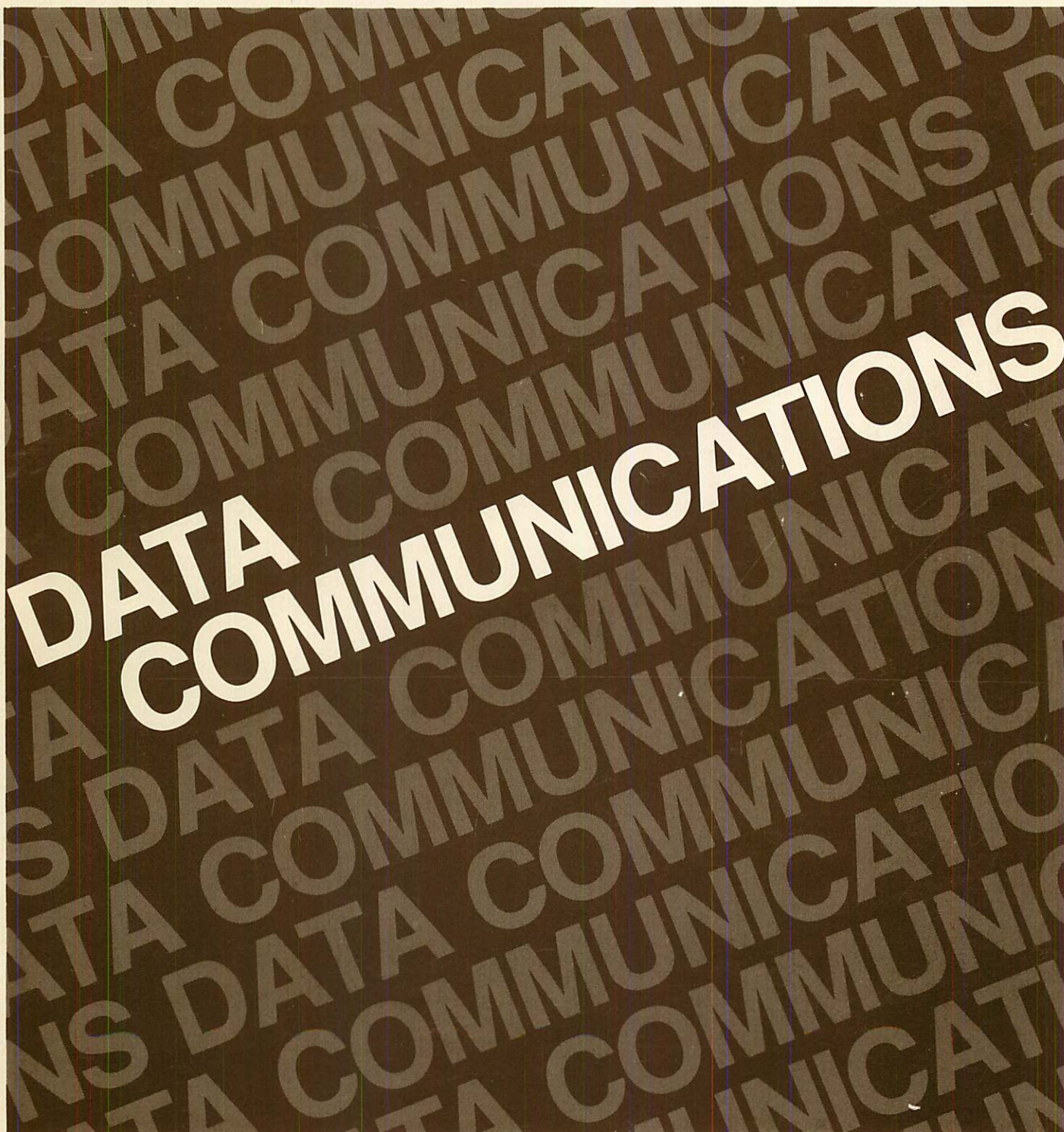


HP 30020A
Intelligent Network Processor (INP)
installation and service manual



HP 3000 Series 30/33 Computer Systems

HP 30020A Intelligent Network Processor (INP)

Installation and Service Manual



19447 PRUNERIDGE AVENUE, CUPERTINO, CALIFORNIA 95014

NOTICE

The information contained in this document is subject to change without notice.

HEWLETT-PACKARD MAKES NO WARRANTY OF ANY KIND WITH REGARD TO THIS MATERIAL, INCLUDING, BUT NOT LIMITED TO, THE IMPLIED WARRANTIES OF MERCHANTABILITY AND FITNESS FOR A PARTICULAR PURPOSE. Hewlett-Packard shall not be liable for errors contained herein or for incidental or consequential damages in connection with the furnishing, performance or use of this material.

This document contains proprietary information which is protected by copyright. All rights are reserved. No part of this document may be photocopied or reproduced without the prior written consent of Hewlett-Packard Company.

LIST OF EFFECTIVE PAGES

The List of Effective Pages gives the date of the current edition and of any pages changed in updates to that edition. Within the manual, any page changed since the last edition is indicated by printing the date the changes were made on the bottom of the page. Changes are marked with a vertical bar in the margin. If an update is incorporated when an edition is reprinted, these bars are removed but the dates remain. No information is incorporated into a reprinting unless it appears as a prior update.

First Edition. October 1979

PRINTING HISTORY

New editions are complete revisions of the manual. Update packages, which are issued between editions, contain additional and replacement pages to be merged into the manual by the customer. The date on the title page and back cover of the manual changes only when a new edition is published. When an edition is reprinted, all the prior updates to the edition are incorporated. No information is incorporated into a reprinting unless it appears as a prior update. The edition does not change.

First Edition. October 1979

This manual contains installation and servicing information for the HP 30020A Intelligent Network Processor (INP). The INP is a functionally flexible, single-channel data processor that provides I/O capability between the HP 3000 Series 30 or Series 33 Computer Systems and other computer systems via either modulator/demodulators (modems) and telephone lines or direct connection.

This manual was written with the assumption that the reader has a thorough knowledge of the HP 3000 Series 30 and Series 33 I/O system and is familiar with the latest data communications techniques.

This manual is organized as follows:

Section I, General Information, briefly describes the main features of the INP and how it operates. This section also describes how the INP is configured in the computer system, lists the equipment supplied with the INP, and lists its specifications.

Section II, Installation, contains instructions for installing the INP printed circuit assembly (PCA) and its interconnecting cabling into an HP 3000 Series 30 or Series 33 Computer System.

Section III, Programming Information, states the fact that the INP is preprogrammed and requires no field programming.

Section IV, Principles of Operation, is a description of the hardware operation of the INP and its associated communication channels. Since this is a brief overview, intended only to give the user a better understanding of how the INP does its job, some minor operational details have been omitted.

Section V, Maintenance, contains general servicing information, troubleshooting procedures, repair instructions, and a description of applicable maintenance aids.

This manual should be retained and used with related documentation for the HP 3000 Series 30 or Series 33 Computer System and the INP. Related documents include the following technical manuals:

HP 3000 Series 33 and HP 3000 Series 30 Reference/Training Manual, part no. 30070-90003

HP 3000 Series 33 and HP 3000 Series 30 Customer Engineer Handbook, part no. 30070-90010

PREFACE (continued)

- HP 3000 Series 33 Installation Manual, part no. 30070-90021
- HP 3000 Series 30 Installation Manual, part no. 30080-90001
- HP 3000 Computer Systems, Series 30/33 Console Operator's Guide, part no. 30070-90025
- HP 3000 Series 33 and HP 3000 Series 30 Diagnostic Manual Set, part no. 30070-60068
- HP 30010A / 30020A Intelligent Network Processor Diagnostic Procedures Manual, part no. 30010-90002
- HP 3000 Computer Systems, Communications Handbook, part no. 30000-90105
- HP 3000 Computer Systems, System Manager / System Supervisor Reference Manual, part no. 30000-90014.

CONTENTS

Section I - GENERAL INFORMATION	Page
Introduction	1-1
General Description	1-1
Equipment Supplied	1-2
Features	1-5
Interface to System	1-5
Specifications	1-7
 Section II - INSTALLATION	
Unpacking and Initial Inspection	2-1
Preparation for Installation	2-1
Power Requirements	2-2
PCA Jumpers and Switches	2-2
Hardware Installation Procedures	2-6
Installation of the INP PCA	2-6
Installation of the Communication Cables	2-9
Software Installation	2-12
Installation Verification	2-12
Multiple INP Installations	2-14
 Section III - PROGRAMMING INFORMATION	3-1
 Section IV - PRINCIPLES OF OPERATION	
Functional Description	4-1
INP Microprocessor	4-1
Read-Only Memory (ROM)	4-3
Random Access Memory (RAM)	4-3
Direct Memory Access (DMA)	4-3
SDLC and BISYNC Data Communication	4-3
Communication Line Interfaces	4-4
Functional-Level Operation	4-4
System-Level Operation	4-5

CONTENTS (continued)

Section V - MAINTENANCE	Page
Safety Precautions	5-1
Repair Philosophy	5-1
Maintenance Aids	5-2
Self Test	5-3
Basic Instruction Set Test	5-3
ROM Test	5-4
Timer Interrupt Test	5-4
RAM Test	5-4
Chip Tests	5-4
BISYNC Test	5-5
SDLC Test	5-5
Troubleshooting	5-5
Customer-user Troubleshooting Procedures	5-5
HP Support Troubleshooting Procedures	5-7
Off-board Loopback Testing	5-10
Field Repair	5-11
Field Replacement of a RAM Chip	5-11
Replacement of the PCA Board	5-12
Reshipment Instructions	5-13
 Appendix A - CONFIGURING MPE	
Configuration Overview	A-1
The Configuration Dialogue	A-2
 Appendix B - INP DUMP FACILITY	B-1
 Index	Index-1

ILLUSTRATIONS

Figure	Title	Page
1-1.	HP 30020A Intelligent Network Processor and Related Cabling	1-0
1-2.	Typical Interface to System	1-6
2-1.	Location of PCA Switches	2-3
2-2.	Location of POWER Switch on HP 3000/30	2-7
2-3.	Location of PROCESSOR Switch on HP 3000/33	2-8
2-4.	Communication Cable Routing (HP 3000/30)	2-10
2-5.	Communication Cable Routing (HP 3000/33)	2-11
2-6.	Self-test Switch and LED Indicators	2-13
4-1.	HP 30020A INP Block Diagram	4-2
5-1.	Location of Pertinent Components on INP PCA	5-6

TABLES

Table	Title	Page
1-1.	Interconnecting Cable Assemblies	1-3
1-2.	Test Equipment Compatibility	1-4
1-3.	Specifications	1-7
2-1.	HP-IB Address Switch Settings	2-4
2-2.	Rocker Switch Positions	2-5
5-1.	Meanings of Self-test LED Indicator Patterns	5-8
5-2.	Identifying Defective RAM Data Chips	5-9

General Information

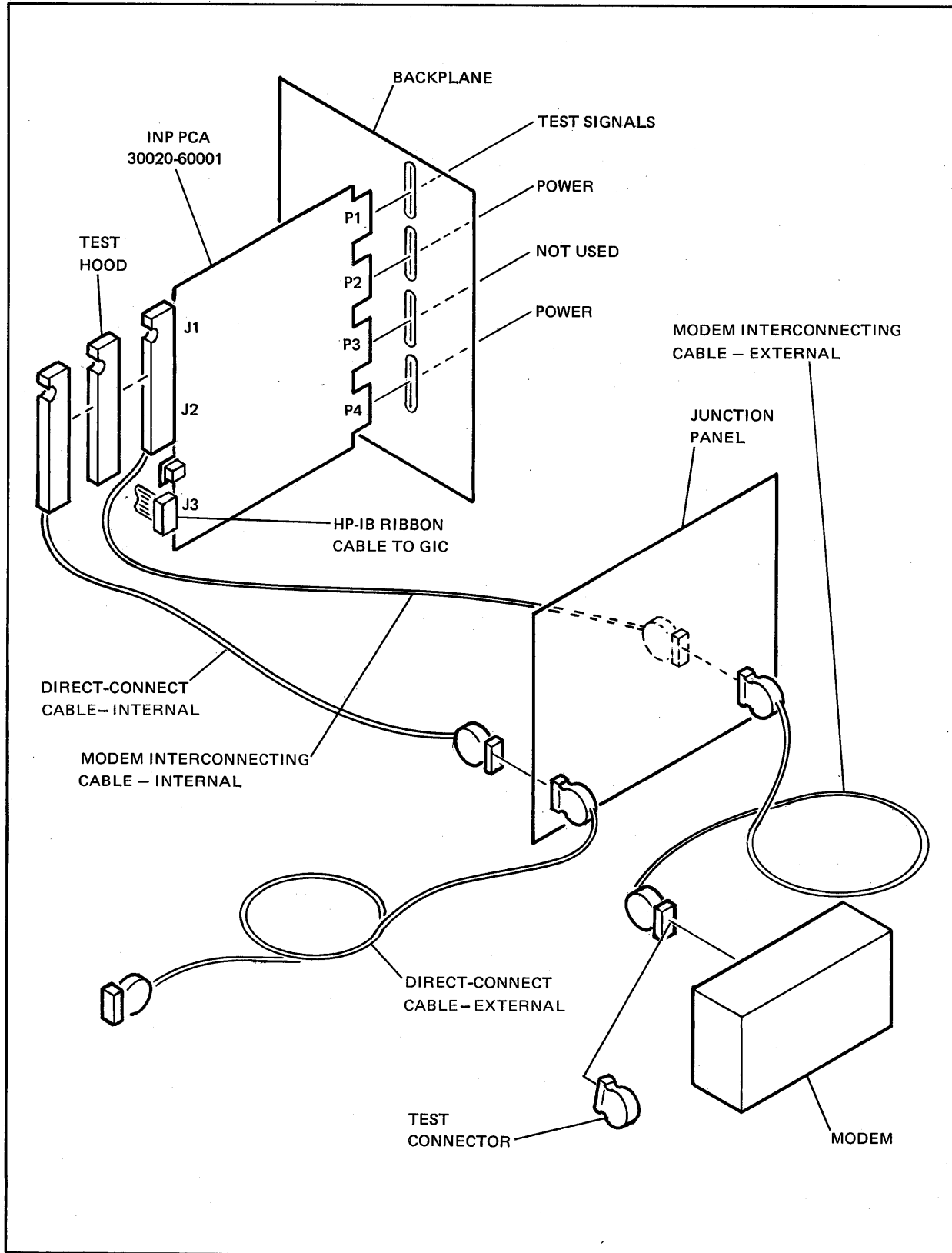


Figure 1-1. HP 30020A Intelligent Network Processor and Related Cabling

1-1. INTRODUCTION

This section describes the functional and physical characteristics of the HP 30020A Intelligent Network Processor (INP) shown in figure 1-1. Related publications that may be required for operation and service of the INP are listed in the Preface.

1-2. GENERAL DESCRIPTION

The HP 30020A Intelligent Network Processor (frequently referred to hereafter as the INP) provides the HP 3000 Series 30 and Series 33 Computer Systems with data communication capabilities in high-speed as well as low-speed modem environments.

A microprocessor within the INP performs the communications protocol management, thus relieving the HP 3000 processor of that task. As power is applied, the INP initializes itself, runs a mini-diagnostic routine, reports to the system that it is functionally operational, and requests configuration parameters. When a request for data communication performance is made (for example, when a user at a terminal opens a DS line), the system loads the appropriate driver onto the INP. The INP then transfers control to the driver from its background loader program. The driver opens the communications channel and passes buffered data back and forth between the HP 3000 CPU and the data communication channel.

Serialization, protocol management, frame/block management, modem management, and data buffering are all performed by the INP. The CPU must still process message formats and higher level link procedures. While the INP is transferring the last correctly received block of data to the CPU, the INP is also processing and buffering the next block of data coming from the communication channel.

1-3. Equipment Supplied

The HP 30020A Intelligent Network Processor consists of the following:

- One Intelligent Network Processor (INP) printed circuit assembly (PCA), part no. 30020-60001.
- One HP-IB Ribbon Cable, part no. 30020-60008 (standard length) or part no. 8120-2846 (optional longer cable for installation in second card cage of HP 3000/33).
- One HP 30020A Intelligent Network Processor Installation and Service Manual, part no. 30020-90001.
- One HP 30010A / 30020A Intelligent Network Processor Diagnostic Procedures Manual, part no. 30010-90002.

Although a complete INP subsystem must include one or more INP-to-modem cables, INP-to-INP direct-connect cables, or INP-to-SSLC direct-connect cables, these cables are not included under the HP 30020A product number. Each interconnecting cable or set of cables required for the various configurations is ordered separately under its own product number. See table 1-1 for a list of the available cables.

CAUTION

Use of the longer lengths of the external interconnect cables requires special precautions. Long cables are very susceptible to induced transients. DO NOT run cables outdoors or near electrically "noisy" equipment.

The following test equipment is used to verify the proper operation of the INP while troubleshooting the data communications network:

- Cable test connector.
- Board test hood.

These items of test equipment are supplied by the HP Customer Engineer. Different part numbers of test connectors and test hoods are required for different cable connection configurations. Table 1-2 shows which test items are compatible with each set of interconnecting cables.

Table 1-1. Interconnecting Cable Assemblies

Product No.	Option	Description	Part No.
30221A		RS232 Synchronous Internal Cable RS232 10-meter External Cable	30221-60001 5061-2514
30221B		RS232 Asynchronous Internal Cable RS232 10-meter External Cable	30221-60002 5061-2514
30224B		INP-to-INP Direct-Connect Cable (Internal)	5061-2523
30224L		External Interconnect Cable (10-meter)	30224-60001
30224L	001	External Interconnect Cable (25-meter)	30224-60002
30224L	002	External Interconnect Cable (50-meter)	30224-60003
30224L	003	External Interconnect Cable (100-meter)	30224-60004
30224L	004	External Interconnect Cable (250-meter)	30224-60005
30224L	005	External Interconnect Cable (500-meter)	30224-60006
30224L	006	External Interconnect Cable (1000-meter)	30224-60007
30225B		INP-to-SSLC Direct-Connect Cable (Internal)	30221-60001
		INP-to-SSLC Direct-Connect Cable (External)	30225-60003

General Information

Table 1-2. Test Equipment Compatibility

Description	Part No.	Used With Cable Product No.
Board Test Hood	5061-2519	30221A 30221B 30225B
	5061-2522	30224B
Cable Test Connector	5061-2507	30221A 30221B
	5061-2512	30224B
	30225-60004	30225B

1-4. Features

Important features of the INP are:

- Hardware data transfer rates to 56,000 bits per second.
- 32 K bytes of random access memory (RAM) for driver and support program storage and for character and message buffering.
- 4 K bytes of read-only memory (ROM).
- Protocol and link processing without computer system intervention.
- High-speed, silicon-on-sapphire (SOS) microprocessor.
- Compatible with IBM Binary Synchronous Communications protocol.
- EIA RS232C, and CCITT V.24 and V.35 compatibility.
- Full- or half-duplex operation.
- Compatible with HP 37210T and HP 37220T modems and with Bell 201, 208, and 209 modems.
- Direct-connect capability between two HP 3000 computers.
- Retention of buffered data during power fail/restore periods.
- Stand-alone, user-initiated, self-test capability.

1-5. Interface to System

The HP 30020A INP has one PCA board that is backplane compatible with the HP 3000 Series 30 and Series 33 Computer Systems. The INP PCA is installed in the "device" section of the I/O card cage. The INP communicates with the General I/O Channel (GIC) via connector J3, and with the modem via connectors J1 and J2. (See figure 1-2.) The INP receives power from the system via connectors P2 and P4. Connector P1 is used for test signals, and connector P3 is not currently used.

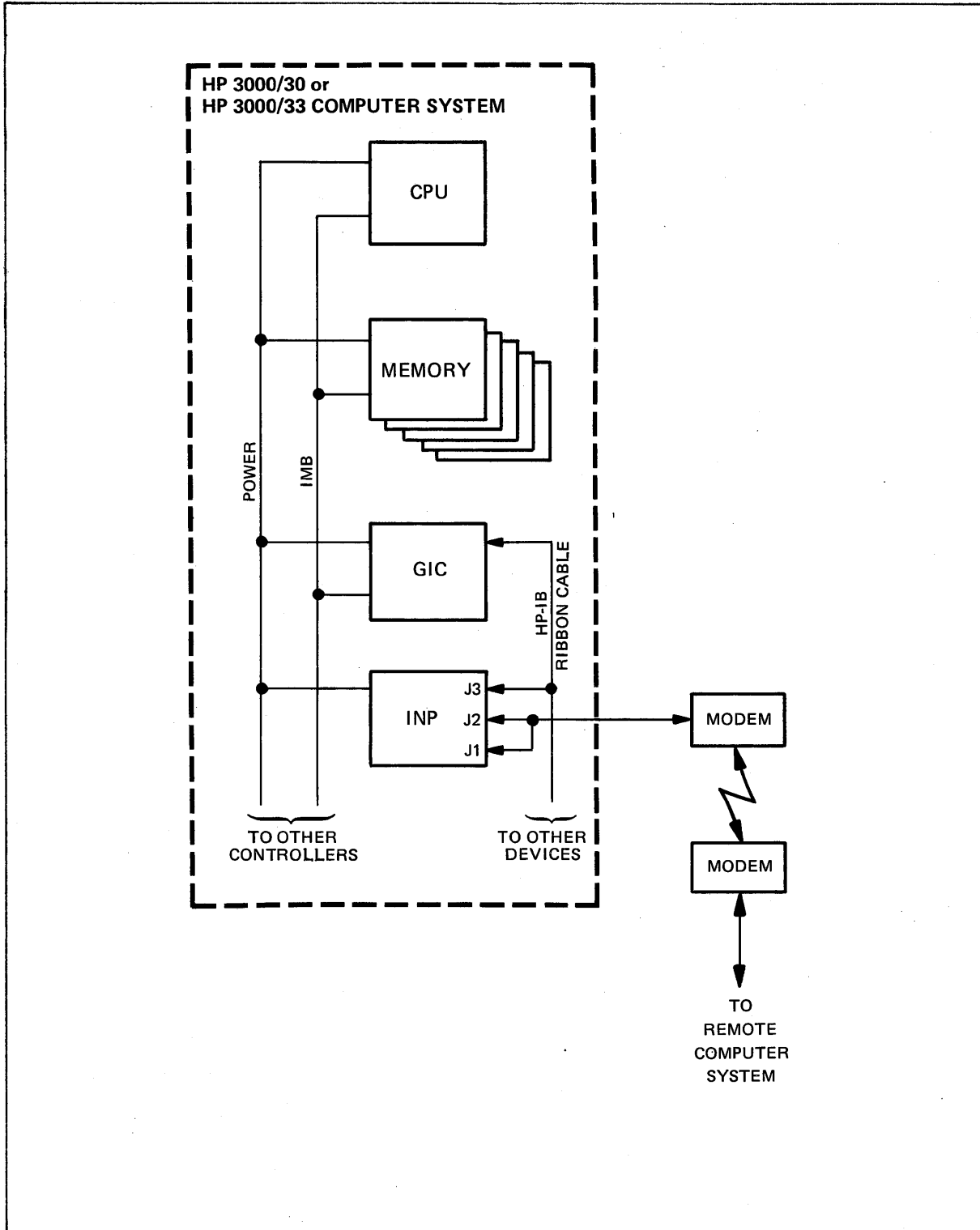


Figure 1-2. Typical Interface to System

1-6. SPECIFICATIONS

The specifications for the HP 30020A Intelligent Network Processor are presented in table 1-3.

Table 1-3. Specifications

Model	30020A Intelligent Network Processor
PCA Part No.	30020-60001
Interface	EIA RS232C, CCITT V.24 and V.35, or hardwired
Data Rate	Modem - Up to 19,200 bits per second in half- or full-duplex mode for RS232C Up to 56,000 bits per second in half- or full-duplex mode for V.35 Hardwired - Up to 56,000 bits per second for INP-to-INP Up to 9600 bits per second for INP-to-SSLC
Data Buffer	Greater than 2 K bytes
Modem Compatibility	HP 37210T, 37220T Bell 201, 208, 209
Maximum Number of INPs per HP 3000/30	2
Maximum Number of INPs per HP 3000/33	7
Power Fail Protection	Buffered data can be restored after a power failure.

This section contains information for unpacking, inspecting, installing, and initially testing an HP 30020A Intelligent Network Processor (INP) that is to be added to an existing HP 3000 Series 30 or Series 33 Computer System.

2-1. UNPACKING AND INITIAL INSPECTION

If the INP printed circuit assembly (PCA) and associated cable assemblies are received separately from the computer system, inspect the carton containing the items before opening. If there is evidence of external damage or if the carton rattles, notify the nearest HP Sales and Service Office and request that the carrier's agent be present when the carton is opened.

Inspect each item as the carton is unpacked. If the INP PCA or cable assemblies are damaged or fail to meet specifications, notify the carrier and the nearest HP Sales and Service Office immediately. Retain the shipping carton and packing material for the carrier's inspection. The HP Sales and Service Office will arrange for repair or replacement of the damaged item without waiting for any claims against the carrier to be settled.

2-2. PREPARATION FOR INSTALLATION

Before beginning any INP installation activities, ensure that the system operator has backed up the system files. This precaution will prevent the possible inadvertent loss of the data residing on the disk.

2-3. Power Requirements

The HP 30020A INP requires the following operating power:

<u>Supply</u>		Current (amps)		
		<u>Regular</u>	/	<u>Backup</u>
+ 5V	at	2.55	/	0.0
+12V	at	0.58	/	0.0
-12V	at	0.12	/	0.0
+ 5VB	at	0.67	/	0.49
+12VB	at	0.21	/	0.04
-12VB	at	0.02	/	0.01

The INP PCA obtains its operating power directly from the computer system power supply. All HP 3000 Series 30 and Series 33 Computer Systems have an adequate power supply to accommodate the addition of an INP or multiple INPs (two INP subsystems in the same HP 3000/30 and up to seven INP subsystems in the same HP 3000/33) without the need for any power supply modification.

2-4. PCA Jumpers and Switches

The jumpers used on the INP PCA board have all been preset during board calibration at the factory, and no field alterations are required. There are, however, several switches on the INP PCA board that must be manually set to configure the INP for your specific system and application. They include the following:

- HP-IB address switch (a single rotary switch)
- Rocker switch pack (10 switches)

Figure 2-1 shows the location of these switches.

Set the switches as follows before installing the PCA board in the computer card cage.

- a. The HP-IB address switch is a thumbwheel switch with eight numbered positions (0 through 7). The setting of this switch identifies the device number assigned to this INP and is read by the processor. Rotate the switch to display the appropriate number as shown in table 2-1.

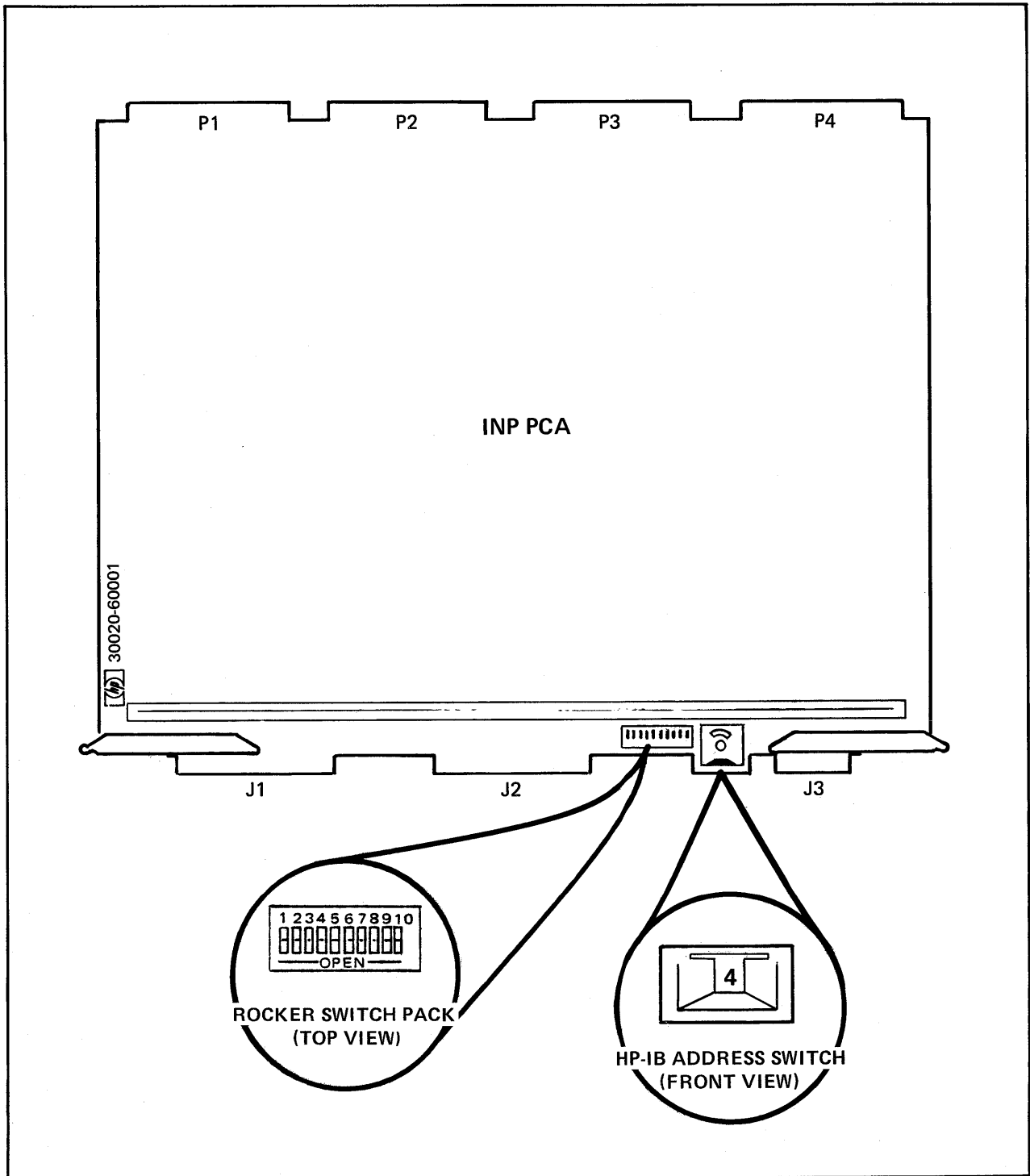


Figure 2-1. Location of PCA Switches

Table 2-1. HP-IB Address Switch Settings

Quantity of INPs Installed	Number to be Set into HP-IB Address Switch
First	4
Second	5
Third	6
Fourth	7

- b. The rocker switch pack consists of 10 miniature two-position switches in a single block. The switches are labeled with numbers 1 through 10, and the OPEN position is also labeled on the switch block. Table 2-2 shows the function of each switch and the switch position necessary to enable that function. Set each switch as required for your installation.

Table 2-2. Rocker Switch Positions

Switch No.	Function	Enable Position
1	Allow refresh	Open
2	Allow processor execution	Open
3	Access ET PROM (see note 1)	Closed
4	Access INP ROM (see note 1)	Closed
5	Allow remote restart	Open
6	HP-IB shield (ground) - J3	Closed
7	HP-IB controller-in-charge	Open = Controller
8	Unassigned (see note 2)	Open = High
9	Unassigned (see note 2)	Open = High
10	Loop self test (see note 3)	Closed = Loop

Notes:

1. Simultaneous closure of switches 3 and 4 defaults to ET PROM.
2. No hardware significance; can be read by the INP microprocessor.
3. With HP-supplied SOS ROMs, the self-test program will loop.

2-5. HARDWARE INSTALLATION PROCEDURES

2-6. Installation of the INP PCA

Install the INP PCA as follows:

- a. Ensure that all PCA switches are properly configured. (Refer to paragraph 2-4.)
- b. Turn off the power.

On the HP 3000 Series 30, set the POWER switch (located on the front of the HP 3000/30 mainframe, as shown in figure 2-2) to the OFF position.

On the HP 3000 Series 33, set the PROCESSOR switch (located on the side panel beneath the desk-top of the HP 3000/33 mainframe, as shown in figure 2-3) to the OFF position.

CAUTION

All power must be off when inserting or removing any device or card in the system.

- c. Open the door of the I/O section card cage on the back of the HP 3000/30 or HP 3000/33 mainframe.
- d. Insert the INP PCA board into a vacant card cage slot within the "device" range (color coded blue).

On the HP 3000 Series 30, the INP can be installed in any convenient slot in the range of 6 through 15 where the HP-IB ribbon cable will reach all needed connectors. (The recommended slots for the INP in a typical installation are slots 9 and 10.)

On the HP 3000 Series 33, the INP can be installed in any convenient slot in the range of 14 through 24.

- e. Record the location of the INP PCA in the configuration section of the System Support Log.
- f. Connect the INP to the General I/O Channel (GIC) by attaching the HP-IB Ribbon Cable (part no. 30020-60008 or optional part no. 8120-2846) to the INP PCA connector J3.

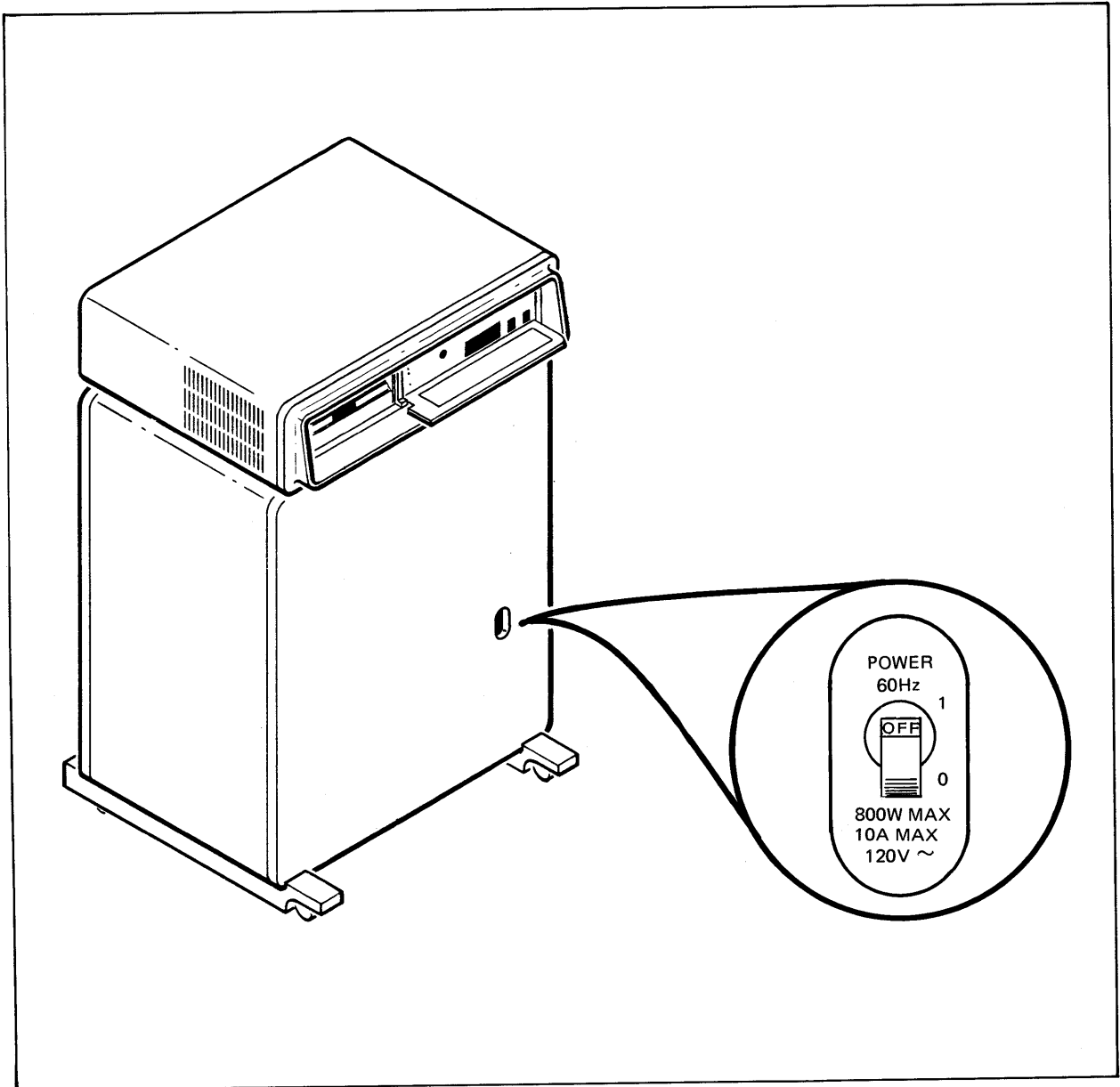


Figure 2-2. Location of POWER Switch on HP 3000/30

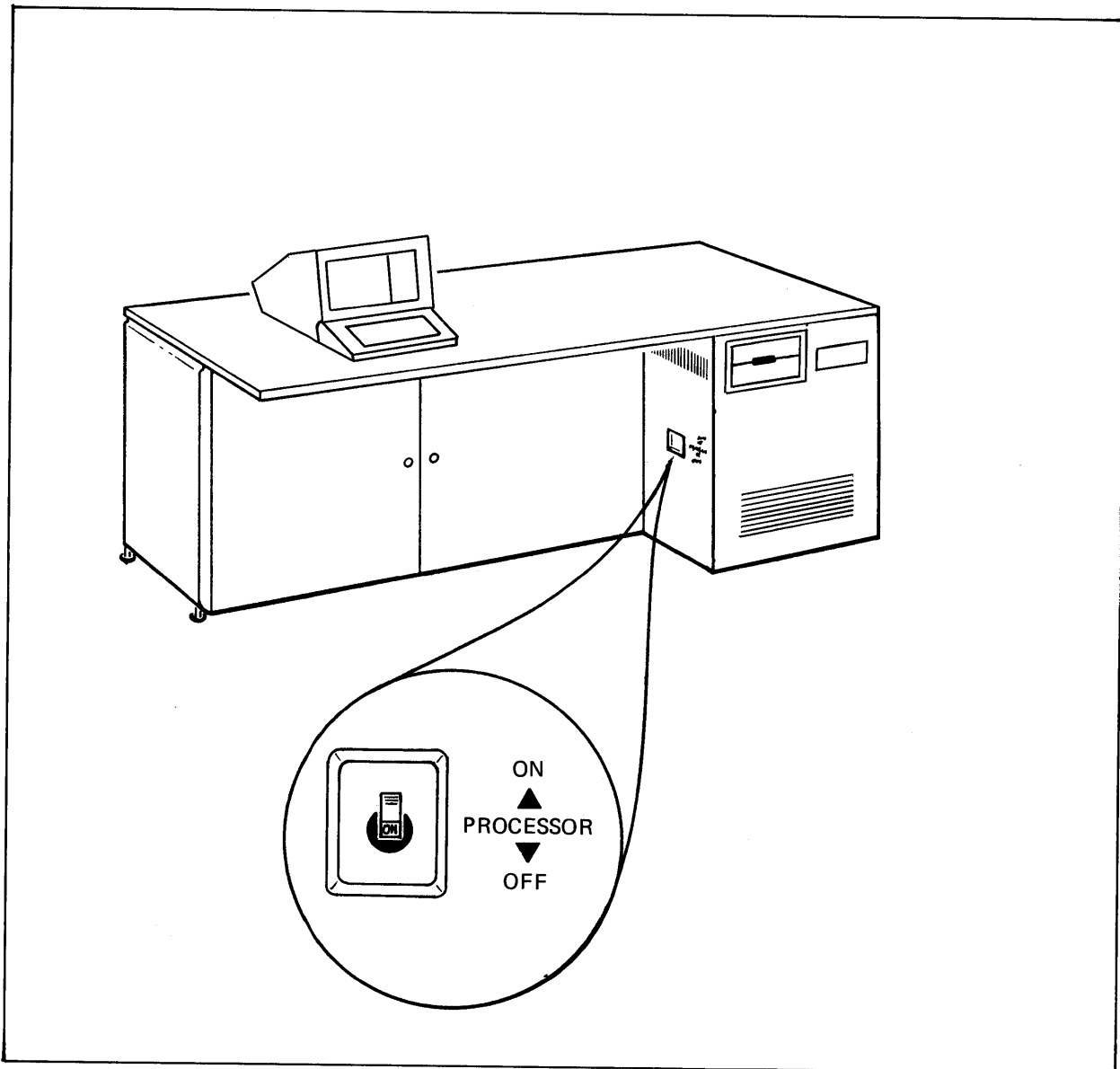


Figure 2-3. Location of PROCESSOR Switch on HP 3000/33

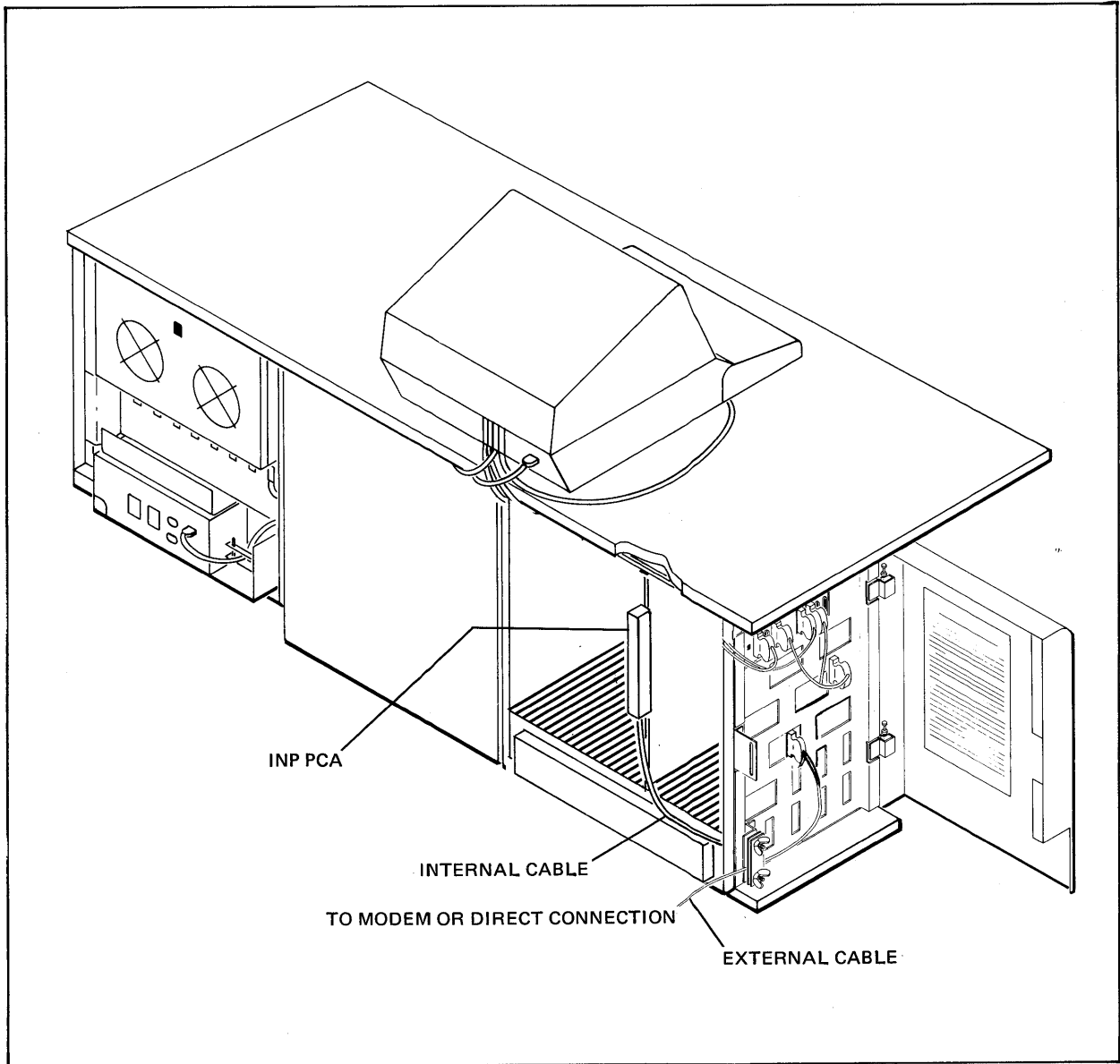


Figure 2-5. Communication Cable Routing (HP 3000/33)

Installation

- f. If a direct INP-to-SSLC connection is being made (from your local computer with its INP to a remote computer with an SSLC), route the external INP-to-SSLC direct-connect cable (part no. 30225-60003) directly to the remote computer. Connect the other end of the external direct-connect cable to the remote computer's modem interconnecting cable (completely bypassing all modems).

2-8. SOFTWARE INSTALLATION

The INP has been preprogrammed at the factory and requires no field programming. All INP software, including the self test, is contained within the circuitry of the INP PCA board. Therefore, no separate software installation procedure is required.

The diagnostic software (DSM) used for troubleshooting INP problems is separate from the INP's own software. This diagnostic program is included with your updated operating system and, likewise, requires no separate software installation procedure.

2-9. INSTALLATION VERIFICATION

Verify that the INP has been properly installed and that it now functions accordingly as follows:

- a. Turn on the power.

On the HP 3000 Series 30, return the POWER switch to the ON position.

On the HP 3000 Series 33, return the PROCESSOR switch to the ON position.

- b. Power up the system in accordance with the HP 3000 Series 30/33 Console Operator's Guide.
- c. Press the red, spring-loaded RESTART switch on the edge of the INP PCA board (figure 2-6) to manually initiate the self test.
- d. Watch the self-test light-emitting-diode (LED) indicators (figure 2-6) as the self-test program goes through its cycle. Upon completion of the self test (approximately 2 seconds in duration), the LEDs will stop winking and will display a steady pattern. If the two LEDs at each end (0 and 7) are lighted while all the others are off, the INP is working properly. If any other pattern of lighted LEDs is being displayed, the INP is malfunctioning.

2-7. Installation of the Communication Cables

Install the INP communication interconnecting cable assemblies as follows:

- a. Connect the hood connector of the appropriate internal cable to connectors J1 and J2 of the INP PCA board. Refer to table 1-1 for a list of the available INP-to-modem cables, INP-to-INP direct-connect cables, and INP-to-SSLC direct-connect cables. Also refer to figure 1-1 as an aid in visualizing the relationship of the hardware components of the INP subsystem.
- b. Route the internal cable (which you already attached to the INP PCA in step a) to the point where it will mate with the external cable.

On the HP 3000 Series 30, route the internal cable downward, through a cable clamp, and out of the cabinet with the other computer cabling (as shown in figure 2-4).

On the HP 3000 Series 33, route the internal cable in the cable channel along the lower front edge of the inside of the card cage. Attach the cable connector to the inside of the bulkhead connection panel on the end of the card cage. (See figure 2-5.)

- c. Attach the external cable to the internal cable.

On the HP 3000 Series 30, the two cables are joined with their connectors outside of the computer cabinet.

On the HP 3000 Series 33, attach the external cable to the outside of the card cage bulkhead connection panel so that it connects with the internal cable installed in step b.

- d. If an INP-to-modem connection is being made, route the external segment of the data communication cable assembly directly to the local modem and attach the connector to the modem.
- e. If a direct INP-to-INP connection is being made (bypassing all modems), route the external interconnect cable (one of the HP 30224L-series of cables listed in table 1-1) directly to the other computer in your data communications system. The other end of the external interconnect cable connects to another INP-to-INP direct-connect cable for the remote computer.

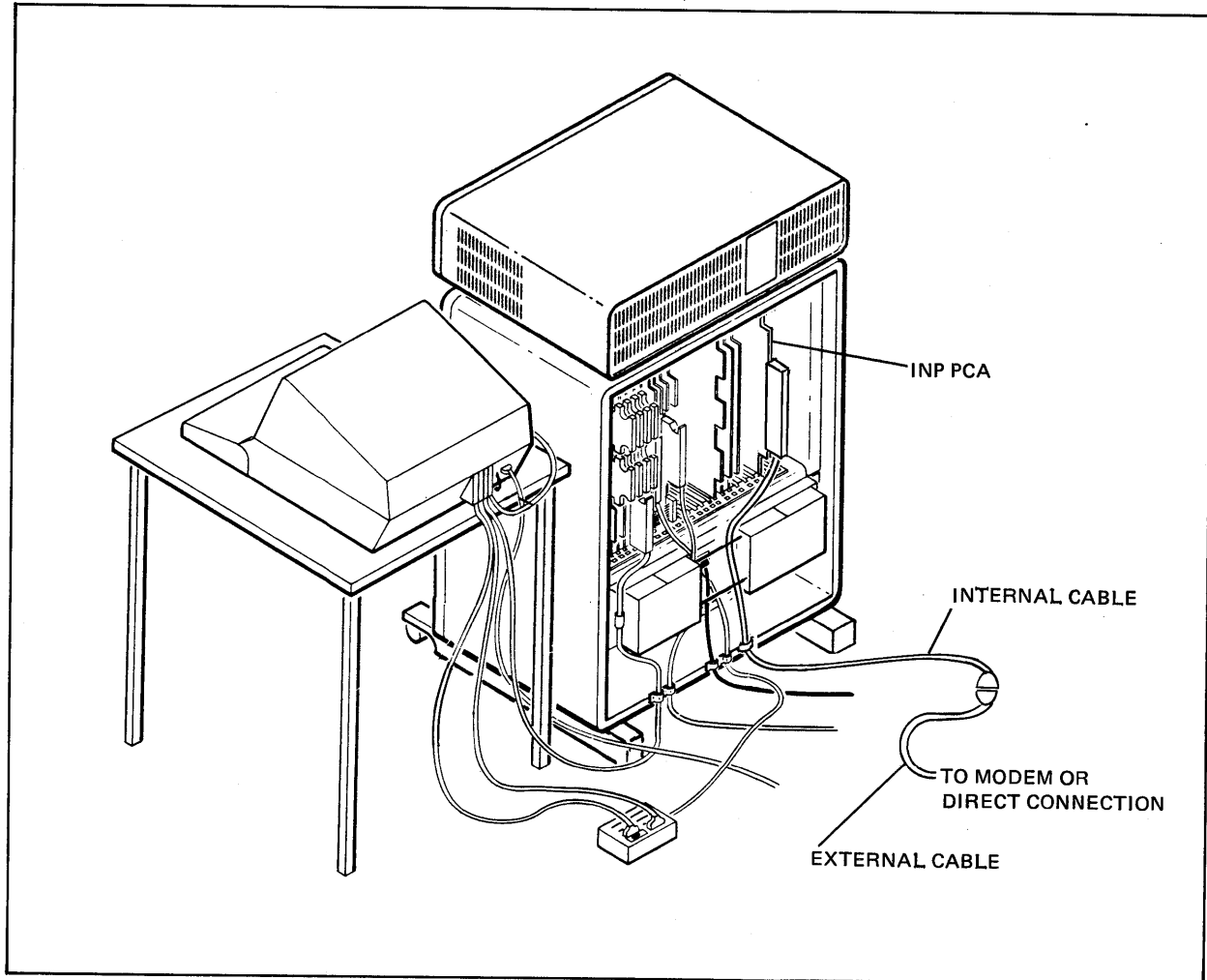


Figure 2-4. Communication Cable Routing (HP 3000/30)

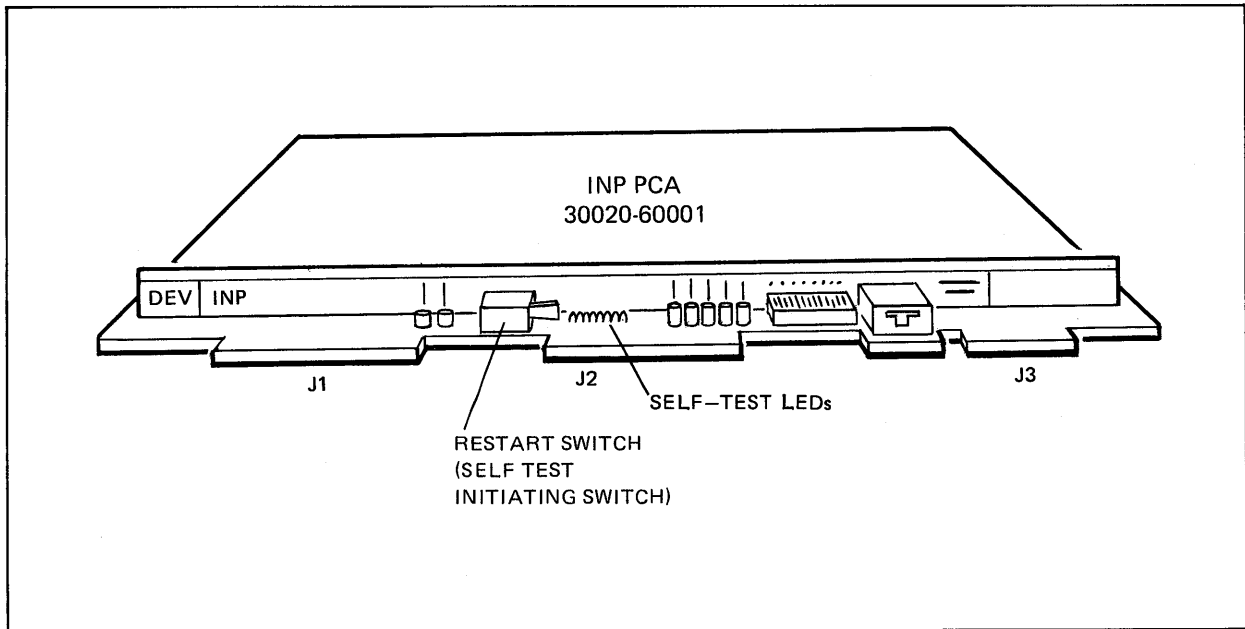


Figure 2-6. Self-test Switch and LED Indicators

- e. If a properly functioning INP is indicated, close and lock the card cage door. The system is now ready for operation.
- f. If a malfunctioning INP is indicated, refer to Section V, Maintenance, for troubleshooting information.

2-10. MULTIPLE INP INSTALLATIONS

For additional data communication capability, more than one INP can be installed in the same HP 3000 Series 30 or Series 33 Computer System. The maximum number of INPs that one HP 3000/33 can accommodate is seven. A maximum of two INPs can be installed in each HP 3000/30.

After the first INP has been installed, subsequent INPs are installed by following the same procedures as outlined in the previous paragraphs in this section. Any available card slot within the specified range can be used, since the device sequence is determined by the setting of each INP's HP-IB address switch rather than by the card slot it occupies.

When multiple INPs are installed in an HP 3000/33, no more than three INPs can be located in the first card cage. The fourth through seventh INPs must be located in the second card cage.

PROGRAMMING INFORMATION

SECTION

III

The HP 30020A Intelligent Network Processor (INP) is preprogrammed at the factory and requires no field programming for installation or operation. Furthermore, the use of the built-in self-test feature and the Diagnostic/Support Monitor (DSM) for verification testing and troubleshooting eliminates the need for field programming during these activities, as well.

This section contains functional-level and system-level descriptions of the HP 30020A Intelligent Network Processor (INP). The functional description lists the major functional areas and briefly describes each of them. An example of a typical functional-level operation follows, which serves to summarize the functional description. Then, an overview of the system-level operation briefly discusses INP operations in relation to the HP 3000 Series 30 or Series 33 Computer System.

4-1. FUNCTIONAL DESCRIPTION

The HP 30020A Intelligent Network Processor includes the following major functional areas:

- INP Microprocessor
- Read-Only Memory (ROM)
- Random Access Memory (RAM)
- Direct Memory Access (DMA)
- SDLC and BISYNC Datacomm
- Communication Line Interfaces

A block diagram of INP organization of the major functional areas is shown in figure 4-1. The solid interconnecting lines in the block diagram represent data paths while the broken lines indicate service request paths.

4-2. INP Microprocessor

The Complementary-Metal-Oxide-Semiconductor / Silicon-on-Sapphire (CMOS/SOS) Microprocessor is the heart of the INP. It is a high-performance, low-power-consumption microprocessor primarily used in controller applications. It offers a one-microsecond typical instruction cycle time to execute any of the fixed-width, 16-bit instructions. These instructions can process one-, four-, eight-, or sixteen-bit fields. The fast instruction cycle time

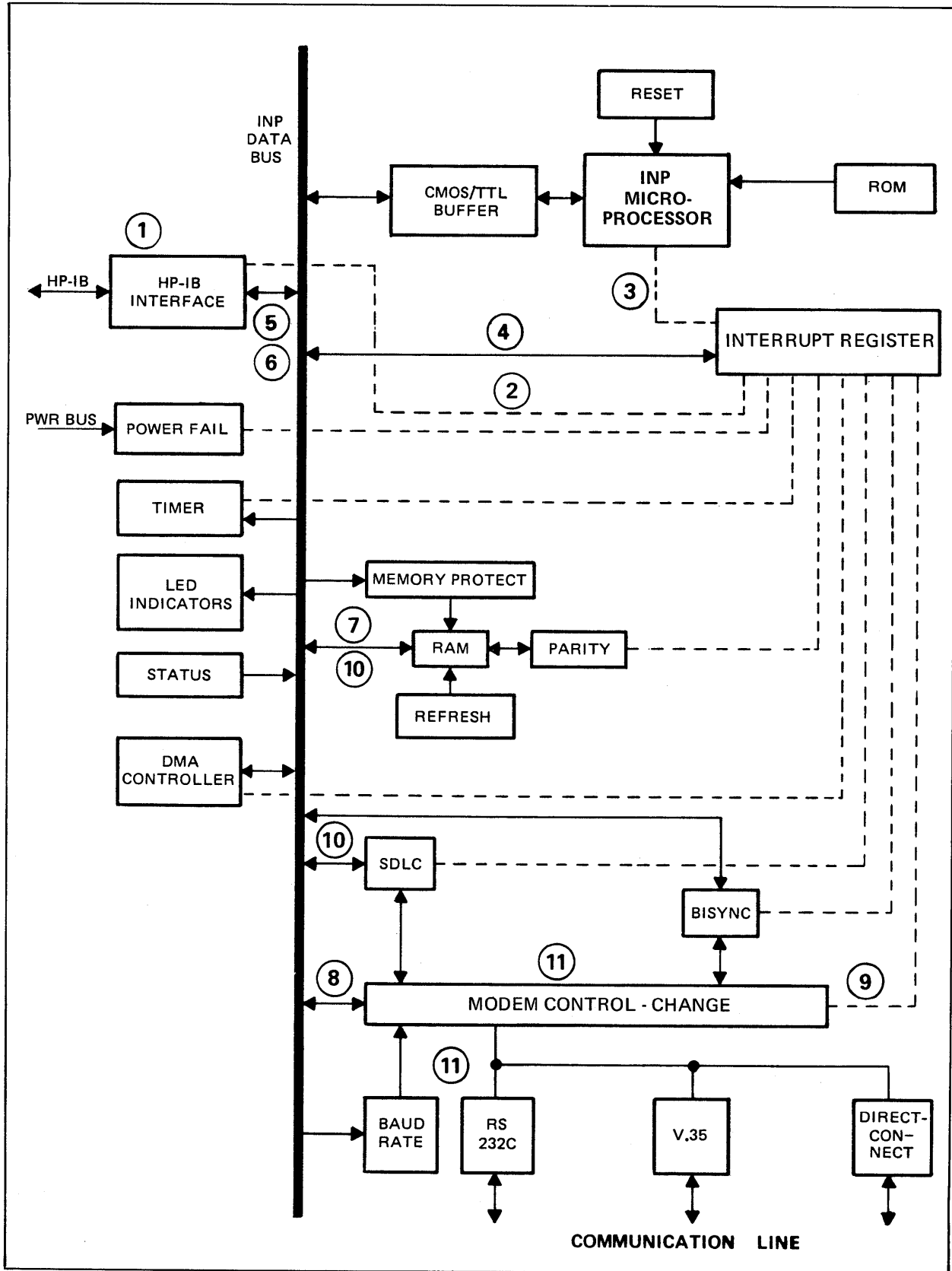


Figure 4-1. HP 30020A INP Block Diagram

requires the use of logic buffers that convert CMOS/SOS levels to the more conventional TTL signal levels. The INP Microprocessor instruction set has been optimized for efficient operations performed directly on the I/O registers.

The INP Microprocessor is designed to facilitate functions such as logical decision making, indexed branches, and external event synchronization. These capabilities allow the INP Microprocessor to efficiently perform the functions required of an intelligent network processor.

4-3. Read-Only Memory (ROM)

The INP has a 2K word, high-speed CMOS/SOS ROM. The ROM contains power-on and reset programs, functional diagnostics, loader/dumper routines, and RAM fault location code.

4-4. Random Access Memory (RAM)

The INP has 16K words of dynamic RAM that store the protocol driver in use (such as BISYNC point-to-point), the INP's control program, the HP 3000 interface driver, and data buffers for the communication channel.

Several circuits are required to support and insure the reliable operation of the RAM. A refresh circuit is provided to refresh (or renew) the contents of the dynamic RAM at regular intervals. An LSI chip also aids in performing this function. A parity circuit calculates a parity bit on each byte written to RAM and verifies the bit on each read from RAM. Memory-protect circuitry and separate power supply lines are provided for the RAM, RAM refresh circuitry, and other associated support circuitry to assure that no data will be lost in the event of a power failure or "brownout".

4-5. Direct Memory Access (DMA)

The INP uses an LSI DMA-controller chip to provide three highspeed channels between data buffers in RAM and the HP-IB Interface, as well as between RAM and datacomm LSI devices. The function of the DMA logic is to move bytes between external devices and RAM in such a way that they will be transparent to the INP Microprocessor software. This ability to transfer data concurrently with instruction execution enables the INP to achieve high throughput rates.

4-6. SDLC and BISYNC Data Communication

The INP uses LSI datacomm devices that are programmed by the INP Microprocessor to operate with BISYNC and SDLC protocols. When transmitting, these devices receive data and control bytes in

parallel from the INP Microprocessor and convert them into a continuous serial stream for transmission. Simultaneously, they can receive a serial stream of data and control information and assemble it into a series of parallel data bytes for the INP Microprocessor.

4-7. Communication Line Interfaces

The communication line interfaces, such as RS232C, Bell DDS, Direct-connect, etc., translate data and control lines into signals that are electrically and mechanically compatible with the respective standards.

4-8. FUNCTIONAL-LEVEL OPERATION

In the following typical message transmission sequence, a modem telephone line is assumed as the communications medium. References are made to the functional areas, data paths, and service request paths within the block diagram in figure 4-1. The data paths and service request paths being referenced are identified in the diagram by circled numbers.

Initially, the HP 3000 has been powered up, and the previously attached communication line is not yet operational. The process of powering up invokes the ROM-resident control program. The control program both resets the INP logic and verifies INP operation. The results of the operation verification are available to the HP 3000 on request.

To initiate transmission, the system issues a control parameter over the Hewlett-Packard Interface Bus (HP-IB) to the HP-IB Interface of the INP, (1). This action causes an interrupt bit to be set, (2), which interrupts the INP Microprocessor, (3). The INP Microprocessor then reads the interrupt register, (4), to determine which device is requesting service. Next, the INP Microprocessor interrogates the HP-IB Interface, (5), to determine the nature of the service being requested (new control word, new data word, etc.).

In this example, the control word read in (5) tells the INP microprocessor to start transferring data words from the HP-IB Interface to the INP RAM for local buffering. Typically, the INP reads a whole buffer or block from the HP 3000 before beginning to transfer data over the data communication line.

The flows from the HP 3000 into memory are represented by (6) and (7) in figure 4-1. Upon receiving a full block, the INP Microprocessor raises RTS, (8), and sets up an interrupt for when the modem returns CTS. When CTS becomes active, an interrupt is generated to the INP Microprocessor, (9). The INP Microprocessor then sends data from the INP RAM to the datacomm

LSI devices, (10) . The datacomm device that is being used serializes the data and sends it over the line, (11) , effectively completing the initialization of data transmission.

The INP initiates the data reception function by initializing the modem control lines to indicate that data can be received. It then begins monitoring the communication line for a start-of-message sequence.

Having initialized the transmission and reception of data, the INP Microprocessor now performs functions such as managing special characters in the data stream, calculating and comparing CRCs, transferring blocks to and from the HP 3000, and managing modem signals.

When an end-of-message sequence is detected, the CRC is calculated and checked. If there is no error, the message is accepted and transferred to the HP 3000. The INP returns to its task of monitoring the line for the next start-of-message sequence.

Terminating the transmission sequence involves sending the necessary end-of-message information and changing the appropriate modem control lines to indicate the end of transmission.

4-9. SYSTEM-LEVEL OPERATION

The following discussion demonstrates the functioning of an INP at the system level. A very basic DS/3000 example is given here, but INP usage with other data communications subsystems (such as RJE, MRJE, etc.) can easily be construed.

INP operation begins with the system operator opening the DSLINE (by means of the =DSLIME console command). At this time the INP hardware logic is reset and the ROM-resident verification test (SELF TEST) is invoked. Upon the successful completion of SELF TEST, the respective communications line protocol software is downloaded to the INP RAM. The HP 3000 then commands the INP software to begin execution.

The software initializes itself to conform to the DSLINE as configured on the mainframe. At this time, a read command is issued to the INP, so that messages coming from the remote computer through the data communications line can be received. When a message is received from the remote computer, the local HP 3000 is notified (and data is moved to the mainframe RAM) only at successful completion of the read.

Closing the DSLINE causes any current INP-to-HP 3000 messages to be completed. The INP then becomes dormant until the next =DSLIME command.

This section contains general servicing information for the HP 30020A Intelligent Network Processor (INP). This information includes safety precautions, repair philosophy, maintenance aids, use of the self-test capability, troubleshooting, and field-level repair.

5-1. SAFETY PRECAUTIONS

Whenever the INP printed circuit assembly (PCA) is installed or removed, ensure that the computer system's PROCESSOR switch is set to OFF.

Whenever the INP PCA is being connected or disconnected to a modem (by attaching or removing the INP-to-modem interconnecting cable), ensure that the PROCESSOR switch is set to OFF and that the modem power is also turned off.

Be particularly cautious when selecting the routing for the longer lengths of the interconnecting data cables. DO NOT run these cables outdoors! Lightning induced transients can have a devastating effect on data communication links; and a more direct lightning strike can, of course, be a very real safety hazard to personnel as well as to the equipment. Indoor routing must be planned to avoid sources of electrical "noise", such as arc welders.

Failure to observe these precautions could result in damage to the components of the computer system, the INP, and/or the modem.

5-2. REPAIR PHILOSOPHY

Field repair of the INP PCA is limited to the replacement of the Random Access Memory (RAM) chips. Any other malfunction must be remedied on an exchange basis. To exchange the INP PCA, remove it from the system and prepare it for reshipment to Hewlett-Packard in accordance with the instructions in paragraph 5-19. When troubleshooting procedures have verified a RAM malfunction, remove the INP PCA from the system and replace the defective RAM chip as described in paragraph 5-17.

5-3. MAINTENANCE AIDS

The INP consists of more than just the apparent hardware. It is actually a sophisticated system of both hardware and software. To support such a system, a support package has been provided for verification and troubleshooting. This support package consists of the following:

- INP Self Test
- Diagnostic/Support Monitor
- CS/Trace
- INP Dump

The INP hardware self test can be manually implemented by the customer user or by the HP Customer Engineer. Light-emitting-diode (LED) indicators give status information which can be used as an initial verification/troubleshooting procedure. The INP self test is described further in paragraph 5-4.

The Diagnostic/Support Monitor (DSM) is available for on-line diagnostic support purposes. (Off-line diagnostics are not available for field use.) DSM provides comprehensive and flexible testing capability and allows problems to be checked in an operational environment. Since the operation of the INP is closely integrated with the computer system software, a more meaningful and effective check of the INP is accomplished by using the system itself. DSM begins by verifying the INP hardware and then extends its testing as far into the communications network as possible. If modems with local and/or remote loopback are installed, DSM uses these facilities to test that portion of the link. DSM operates interactively with either a customer user or an HP support user, offering appropriate tests and replies for each level of user. The use of the Diagnostic/Support Monitor is described in detail in the HP 30010A / 30020A Intelligent Network Processor Diagnostic Procedures Manual. (Refer to the Preface for manual part numbers for ordering.)

CS/Trace is a software fault-isolation tool that can be used in the field by HP support personnel. It builds disc records that contain all transactions that have occurred over the transmission facility. Upon termination of an operation, a utility program is run to format and output the individually accumulated trace records for analysis.

The INP Dump facility is used only as a factory-level support tool. It dumps the contents of the INP memory for analyzing the exact state of the INP. The INP Dump facility is described further in Appendix B.

5-4. SELF TEST

A self-test capability is included in the read-only memory (ROM) of the INP. A small set of routines, diagnostics, and checkpoints are included. The intention of the self-test feature is to provide a quick indication of whether the communications board is functioning properly, without either shutting down the system or changing the hardware components. This self test can be actuated either by a software command from the host computer system or by the pressing of a hardware pushbutton switch. Results of the test are available to the host system as a status word or to the pushbutton operator visually through an LED indicator bank located on the front edge of the INP printed circuit assembly (PCA) board.

When the self test is initiated (either manually or programmatically), a series of tests or checks is set into operation. These tests that comprise the self-test program include the following:

- Basic Instruction Set Test
- ROM Test
- Timer Interrupt Test
- RAM Test
- BISYNC Chip Test
- SDLC Chip Test

As each test is successfully completed, the next test in the sequence is started until the self-test cycle has been completed. The red LED indicators (located on the edge of the INP PCA board, beside of the self-test initiating RESTART switch, as shown in figure 5-1) wink on and off during the test cycle (approximately 2 seconds in duration) and stop in a pattern that shows the test results. If LEDs 0 and 7 (the ones at each end of the array) are the only ones lighted, all tests have been completed successfully. Any other pattern indicates a failure. Table 5-1 (under "Troubleshooting") shows the meanings of various LED patterns.

The following paragraphs briefly describe each test in the self-test program.

5-5. Basic Instruction Set Test

The first portion of the INP microprocessor self-test program is a basic instruction set test. Most of the instructions are tested. LED 7 is lighted before the start of the test. If the test is successful, LED 7 is extinguished and LED 6 is lighted. If the test fails, LED 7 remains lighted.

5-6. ROM Test

The second portion of the self-test program tests a calculated checksum. The ROM contains a "burned-in" constant that is used in the calculation of the current ROM checksum. A net result of zero should result when the old and new checksums are compared. This is the only test conducted on the ROM. LED indicator 6 is lighted at the start of this test. If the test is successful, LED indicators 5 and 6 are lighted. If the test fails, indicator 6 stays lit.

5-7. Timer Interrupt Test

The third portion of the self-test program checks to determine that a timer interrupt occurs. This test includes a timing routine that executes in 12 milliseconds. During that interval, a timer interrupt should have occurred. This test does not check the accuracy of the timer, but rather it verifies that the interrupt has actually occurred. At the start of the test, LEDs 5 and 6 are lighted. At the successful completion of the test, LED 3 is lighted and LEDs 5 and 6 are turned off. If the test fails, LEDs 5 and 6 are left on.

5-8. RAM Test

The fourth portion of the self-test program is the RAM Test, which consists of two routines. In the first routine, each memory location has its address written into it and then read from it, starting at location 0001 and progressing to 3FFF. The second routine fills memory downward with the complement of the address and reads it upward. LED indicator 3 is lighted at the start of the test. If the test is successful, LED indicator 4 is lighted and indicator 3 is turned off. If it fails, LED indicator 3 stays lit.

A further test is performed on the memory refresh circuitry. Every 2 milliseconds, all of memory must be read from and written to by the hardware to prevent data loss. If the refresh circuitry were to fail, it would show up as a failure in a read from memory after this test wrote to memory.

5-9. Chip Tests

The fifth portion of the self-test program performs tests on the remaining portions of the PCA board, namely the communication chips and the I/O controllers. LED indicator 4 is lighted at the start of these tests. As each individual test in this group is completed, the LEDs are incremented. If all of the tests are successful, LEDs 0 and 7 are lighted. If any one fails, the tests are not halted, but the appropriate LEDs are lighted.

5-10. BISYNC TEST. The first part of the Universal Synchronous/Asynchronous Receiver/Transmitter (BISYNC) Test sets up the communications interface and then transmits and receives 100 data characters. Errors detected will be data overruns, data parity errors, and any differences between data transmitted and data received.

The second part of the BISYNC Test takes the data written in low memory and transmits it to higher memory via the BISYNC chip and DMA. At the successful completion of this test, LED indicator 5 is lighted.

5-11. SDLC TEST. The first part of the Universal Synchronous Receive and Transmit (SDLC) Test sets up the communication interface and then transmits and receives 100 data characters. Errors detected will be receive errors, receive overruns, and receive aborts.

The second part of the SDLC Test takes the data written in low memory and transmits it to higher memory via the SDLC chip and DMA. At the successful completion of this test, LED indicator 5 is turned off. If it fails, LED indicator 5 is left on.

5-12. TROUBLESHOOTING

5-13. Customer-User Troubleshooting Procedures

If a malfunction is suspected, the customer user can verify proper operation of the INP by initiating the self-test program described in paragraphs 5-4 through 5-11. (Actually, the self test is initiated automatically from time to time by the system software during normal operations. When no malfunction is reported, operations continue without the operator necessarily being aware that a self test has occurred.)

CAUTION

Before manually initiating a self test, be sure that no other computer operations are in progress that may be destroyed by the self-testing process.

There are two ways of manually initiating the self test. One way is by using the INP Diagnostic/Support Monitor (DSM) to invoke the self test. This technique requires a simple interactive dialogue on a computer terminal between the customer user and DSM. The customer-user/DSM operations are described in the HP 30010A / 30020A Intelligent Network Processor Diagnostic Procedures Manual.

Maintenance

The other way of initiating the self test is to press the RESTART switch. (Refer to the Installation Verification instructions in Section II for details on this method of initiating the self test. Also, the exact location of the INP within the card cage can be obtained from the installation notation in the configuration section of the System Support Log.)

The self test checks most of the circuitry of the INP PCA board. If, upon completion of the self test, the self-test LED indicator lights (figure 5-1) are displaying 0 and 7 (only the two lights at each end are lighted), there is no detectable hardware malfunction within the INP PCA board. If any other combination of lights is being displayed or if you still suspect a malfunction beyond the physical limits of the PCA boards, call your Hewlett-Packard Customer Engineer (CE).

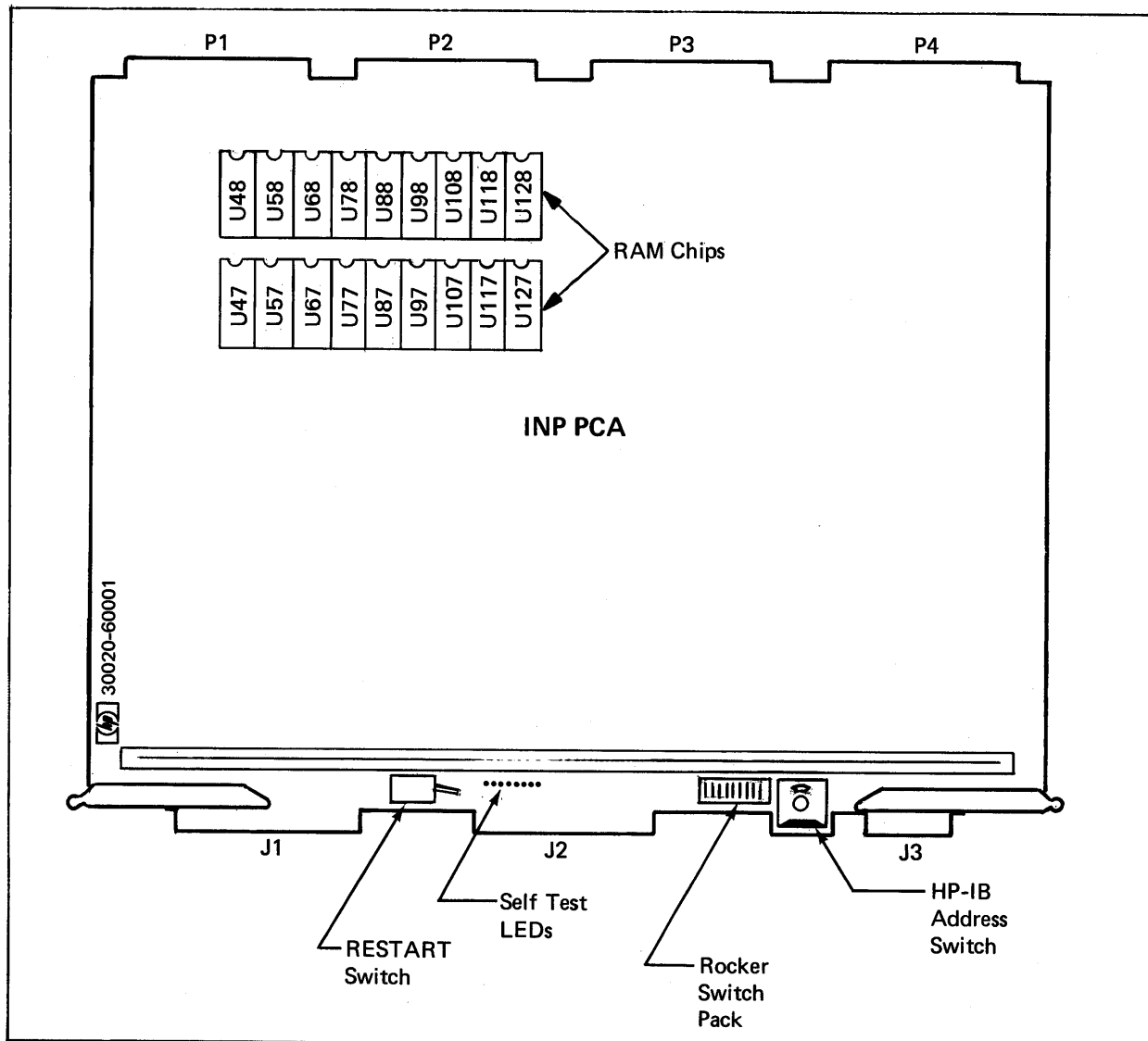


Figure 5-1. Location of Pertinent Components on INP PCA

5-14. HP Support Troubleshooting Procedures

More extensive troubleshooting can be done by the HP Customer Engineer by using the support-user interactive dialogue of DSM. When support-user diagnostic testing of the INP identifies a malfunction within the INP PCA board, field repair of the board is limited to the replacement of the Random Access Memory (RAM) chips. Any other malfunction must be remedied on an exchange basis. (See paragraph 5-2, "Repair Philosophy".)

When the HP Customer Engineer arrives at the computer site, the recommended troubleshooting sequence is as follows:

- a. Determine that the INP is not currently in use.
- b. Before initiating any other action, open the computer card cage door and observe the INP self-test LEDs (see figure 5-1 for the location of the LEDs). Note whether the LEDs are flickering or a static pattern is being displayed, and make a written record of which LEDs are lighted. This information may be needed later if the problem persists beyond the initial steps of troubleshooting.
- c. Disconnect the modem cable (or the direct-connect cable) from the edge connector of the INP PCA board to physically isolate the INP subsystem for testing.
- d. Press the manual RESTART switch (figure 5-1) to initiate the self test.
- e. Observe the INP self-test LEDs. (Refer to table 5-1 for interpretation of the meaning of the various LED light patterns.)
- f. If LED 3 is lighted in combination with any of the other LEDs, a RAM data chip failure is indicated. To determine which RAM chip is defective, note the light pattern being displayed by LEDs 7 through 4 and compare this pattern with the information shown in table 5-2. (If LED 3 is not lighted, skip steps g through h and go directly to step i.)
- g. Replace the RAM chip that was identified in table 5-2 as being defective. (See paragraph 5-17, "Field Replacement of a RAM Chip".)
- h. Repeat steps d through g (to cover the possibility that more than one RAM chip had failed simultaneously).
- i. If the LED 7-6-1-0 combination is lighted, one of the parity-bit RAM chips has failed. Replace both parity-bit RAM chips (U127 and U128). (See paragraph 5-17, "Field Replacement of a RAM Chip".)

Table 5-1. Meanings of Self-test LED Indicator Patterns

LED PATTERN BEING DISPLAYED								TEST FAILURE SIGNIFIED BY LED PATTERN (WHICH TEST FAILED)
7	6	5	4	3	2	1	0	
*							*	None
*						*	*	Basic Instruction Set Test
	*					*	*	ROM Test
		*				*	*	SDLC Test
*		*				*	*	SDLC Test with DMA
			*			*	*	BISYNC Test
*			*			*	*	BISYNC Test with DMA
0	0	0	0	*		*	*	RAM Test
*	*					*	*	RAM Test Parity Error
	*	*				*	*	Timer Interrupt Test
*		*	*			*	*	BISYNC and SDLC Tests w/DMA

Legend:

* = LED lighted

0 = When lighted, the coded pattern signifies which chip (bit) has failed (see table 5-2)

Table 5-2. Identifying Defective RAM Data Chips

LED Display 7 6 5 4	Bit No.	Defective RAM Chip
0 0 0 0	0	U47
0 0 0 1	1	U57
0 0 1 0	2	U67
0 0 1 1	3	U77
0 1 0 0	4	U87
0 1 0 1	5	U97
0 1 1 0	6	U107
0 1 1 1	7	U117
1 0 0 0	8	U48
1 0 0 1	9	U58
1 0 1 0	10	U68
1 0 1 1	11	U78
1 1 0 0	12	U88
1 1 0 1	13	U98
1 1 1 0	14	U108
1 1 1 1	15	U118

Legend:

1 = LED lighted

0 = LED off

Maintenance

- j. If LED combination 7-0 is being displayed (indicating the successful completion of the self test), run DSM for more extensive troubleshooting. (Refer to the support-user/DSM operations described in the HP 30010A / 30020A Intelligent Network Processor Diagnostic Procedures Manual.)
- k. If any other combination of lighted LEDs (not already covered in steps f through j) is being displayed as a result of your having pressed the RESTART switch in step d, replace the INP PCA board (part no. 30020-60001). (See paragraph 5-18, "Replacement of the PCA Board".)

NOTE

When sending PCA boards to the factory for replacement, refer to paragraph 5-19, "Reshipment Instructions". Include in the package your noted observations from step b; they may be helpful during factory-level troubleshooting. Also, if a 5-0 or 3-0 LED pattern was observed in step b, an INP dump file may have been created in PUB.SYS (labeled INPLOGnn, where nn is in the range from 00 to 99). If they can be located, these INPLOG files should also be included in the package with the defective equipment. (See Appendix B for further information on the INP dump files.)

5-15. Off-board Loopback Testing

When support-user diagnostic testing is required beyond the physical limits of the INP PCA board, certain portions of the data communications network can be synthesized. A test hood and a test connector are included with certain cable options. These test attachments are used with the off-board loopback tests described in the HP 30010A / 30020A Intelligent Network Processor Diagnostic Procedures Manual. The test hood and test connector are illustrated in figure 1-1 and listed by part number in table 1-2. The test attachments are used as follows:

- a. With the modem cable disconnected from the edge connector of the INP PCA board, attach the test hood in its place. Run Test Group 6 of DSM.
- b. If the test group passes (indicating that the problem is originating from somewhere "farther downstream"), remove the test hood and reconnect the modem cable to the INP PCA board. Disconnect the other end of the modem cable from the modem, and attach the test connector to the modem cable in place of the modem. Repeat Test Group 6 of DSM.

5-16. FIELD REPAIR

Field repair of the INP is limited to the following procedures and is to be accomplished only by Hewlett-Packard support personnel.

5-17. Field Replacement of a RAM Chip

The Random Access Memory (RAM) chips are the only components on the INP PCA board that are field replaceable. (See figure 5-1 for their location on the board.) If troubleshooting procedures (such as use of the self test) indicate that a RAM chip is faulty, replace it as follows:

- a. Ensure that the system operator has backed up the system files before beginning this procedure.
- b. Turn off the power.

On the HP 3000 Series 30, set the POWER switch (located on the front of the HP 3000/30 mainframe, as shown in figure 2-2) to the OFF position.

On the HP 3000 Series 33, set the PROCESSOR switch (located on the side panel beneath the desk-top of the HP 3000/33 mainframe, as shown in figure 2-3) to the OFF position.

CAUTION

All power must be off when inserting or removing any device or card in the system.

- c. Disconnect the cable hood connector and the ribbon cable connector from the edge of the INP PCA board.
- d. Remove the INP PCA board (part no. 30020-60001) from the card cage.
- e. With the PCA board lying on a smooth, firm surface, withdraw the defective RAM chip out of its socket with a chip extractor tool.

Maintenance

- f. Immediately discard the removed RAM chip, or mark it as scrap, to avoid the possibility of its being inadvertently reinstalled as a new replacement part.

NOTE

Bending the pins of the defective RAM chip immediately upon removal is an effective way of marking it as scrap.

- g. Press a new RAM chip into the socket.
- h. Reinstall the INP PCA board in the computer card cage, using the procedure described under "Hardware Installation Procedures" in Section II, Installation.
- i. Verify that the INP is now working properly as described under "Installation Verification" in Section II, Installation.

5-18. Replacement of the PCA Board

When the troubleshooting procedures outlined in paragraph 5-14 indicate the need for replacement of the INP PCA board, proceed as follows:

- a. Ensure that the system operator has backed up the system files before beginning this procedure.
- b. Turn off the power.

On the HP 3000 Series 30, set the POWER switch (located on the front of the HP 3000/30 mainframe, as shown in figure 2-2) to the OFF position.

On the HP 3000 Series 33, set the PROCESSOR switch (located on the side panel beneath the desk-top of the HP 3000/33 mainframe, as shown in figure 2-3) to the OFF position.

CAUTION

All power must be off when inserting or removing any device or card in the system.

- c. Disconnect the cable hood connector and the ribbon cable connector from the edge of the INP PCA board.

- d. Remove the INP PCA board (part no. 30020-60001) from the computer card cage.
- e. Install the factory replacement INP PCA board in the same slot in the computer card cage, using the procedure described under "Hardware Installation Procedures" in Section II, Installation.
- f. Verify that the INP is now working properly as described under "Installation Verification" in Section II, Installation.

5-19. RESHIPMENT INSTRUCTIONS

If the INP PCA and/or the associated cables are to be shipped to Hewlett-Packard for service or repair, attach a tag to each item identifying the owner and indicating the type of service or repair to be accomplished. Include the part number and date code of each item.

Package the item(s) in the original factory packaging material, if available. If the original packaging material is not available, standard factory packaging material can be obtained from the nearest Hewlett-Packard Sales and Service Office. If standard packaging material is not available, wrap the item(s) in suitable cushioning material (Air Cap TH-240 Cushioning or equivalent) and place the item(s) in a corrugated carton (200-pound test material). Seal the carton securely and mark it FRAGILE to ensure careful handling.

This appendix briefly describes how to configure the MPE Operating System to include the HP 30020A Intelligent Network Processor (INP).

CONFIGURATION OVERVIEW

The programs and intrinsics that comprise your data communications subsystems (such as DS/3000, RJE/3000, etc.) are supplied as part of your MPE Operating System. Only the MPE I/O configuration needs to be modified to include the Intelligent Network Processor (INP) and the subsystem pseudo device for each line to a remote system.

Before configuring MPE, install the INP as described in Section II, Installation. The DRT number configured on the INP PCA board (determined from the device number established in step a of paragraph 2-4, "PCA Jumpers and Switches") should be noted because it is requested during the configuration dialogue.

If the I/O configuration is compatible, the same INP can be used for both DS/3000 and RJE/3000 remote activities. Some information provided in the MPE configuration dialogue may be relevant only when the INP is used with one subsystem or the other. Any configuration differences or special considerations are noted in the following dialogue.

Besides configuring the devices just described, you must, of course, configure any terminals and line printers that are to be used for the Pass-Through Mode of operation. These are standard MPE I/O configurations as described in the System Manager /System Supervisor Reference Manual.

THE CONFIGURATION DIALOGUE

The following instructions deal only with configuring an INP. The complete configuration dialogue is given in the System Manager / System Supervisor Reference Manual.

To begin, log onto the system, define the output files, and initiate a SYSDUMP as shown:

NOTE

Where it is necessary to distinguish user input from computer output, the input is underlined.

: HELLO MANAGER.SYS

: FILE T;DEV=TAPE

: FILE L;DEV=LP

: SYSDUMP *T,*L

STEP NO.	PROMPT AND RESPONSE
1.	ANY CHANGES? <u>YES</u>
2.	SYSTEM ID=HP 32002 v.uu.ff? <u>return</u>
3.	MEMORY SIZE? <u>return</u>
3.1	I/O CONFIGURATION CHANGES? <u>YES</u>
3.2	LIST I/O DEVICES? <u>YES</u> or <u>NO</u>
3.3	LIST CS DEVICES? <u>YES</u> or <u>NO</u>
3.4	HIGHEST DRT = xx? xx is the current highest hardware device address that can be assigned. Press RETURN if xx is satisfactory. Otherwise, enter a higher DRT number.

3.5 LOGICAL DEVICE #?

Enter the logical device number of the INP.

After you respond to all the prompts for one device, this LOGICAL DEVICE #? prompt is repeated to allow for configuring additional devices. If I/O configuration is complete, press RETURN and the system configuration dialogue continues with step 3.80.

3.6 DRT #?

0 Removes the device specified in the previous prompt from the current MPE configuration.

xx Enter the hardware DRT number for the INP.

3.7 UNIT #? 03.8 SOFTWARE CHANNEL #? 03.9 TYPE? 17

3.10 SUBTYPE?

0 or 1 (RJE/3000)

0, 1, or 3 (DS/3000)

0 = Synchronous switched line with a modem

1 = Synchronous nonswitched line with a modem

3 = Synchronous nonswitched line, hardwired

3.17 RECEIVE TIMEOUT? (20-second default)

0-32000 or return

3.18 LOCAL TIMEOUT? (60-second default)

0-32000 or return

3.19 CONNECT TIMEOUT? (900-second default)

0-32000 or return

Prompts 3.20 through 3.22 appear only when subtype 0 was specified in prompt 3.10. (DS/3000 and RJE/3000)

3.20 DIAL FACILITY? YES or NO3.21 ANSWER FACILITY? YES or NO3.22 AUTOMATIC ANSWER? YES or NO3.23 DUAL SPEED? YES or NO

Configuring MPE

- 3.24 HALF SPEED?
YES or NO (Asked only if your response to prompt 3.23 was YES)
- 3.25 SPEED CHANGEABLE? YES or NO
- 3.26 TRANSMISSION SPEED?
250, 300, 600, 1200, 2400, 3600, 4800, or 7000
(DS/3000, hardwired)
250, 300, 600, or 1200 (DS/3000 and RJE/3000 connected via modem)
- 3.27 TRANSMISSION MODE? 0 or 1
0 = Full Duplex
1 = Half Duplex
- 3.28 PREFERRED BUFFER SIZE?
0-1024 (1024 recommended)
(RJE/3000 overrides this option)
- 3.29 DRIVER CHANGEABLE? NO
- 3.30 DRIVER OPTIONS? 0
- 3.50 DRIVER NAME? IOINP0

Prompts 3.52 through 3.55 appear only when subtype 0 has been specified. (DS/3000 and RJE/3000)

- 3.52 PHONELIST? YES or NO
- 3.53 PHONE NUMBER? telephone number or return
(Asked only if your response to 3.52 was YES.)
- 3.54 LOCAL ID SEQUENCE? id sequence or return
- 3.55 REMOTE ID SEQUENCE? id sequence or return
- 3.70 DEVICE CLASSES?
return No class name will be assigned.
name list A list of one or more names, separated by commas. A name must begin with a letter and can have no more than eight characters.
(Note: RJE/3000 requires the device class name RJLINE. Additional class names are optional.)

The dialogue now prints the LOGICAL DEVICE #? prompt described in step 3.5. If all I/O configuration is complete, press RETURN and the dialogue continues at step 3.8. Otherwise, enter a logical device number, and repeat the configuration procedure from step 3.5.

- 3.80 MAX # OF OPENED SPOOLFILES = xxx ? return
- 3.81 LIST I/O DEVICES? YES
- 3.82 LIST CS DEVICES? YES
- 3.83 CLASS CHANGES? return
- 3.93 LIST I/O DEVICES? return

You receive the prompt in step 3.94 only if a communications device is currently configured in your system, or if additional drivers exist.

- 3.94 ADDITIONAL DRIVER CHANGES? return
- 4. SYSTEM TABLE CHANGES? return
- 5. MISC CONFIGURATION CHANGES? return
- 6. LOGGING CHANGES? return
- 7. DISC ALLOCATION CHANGES? return
- 8. SCHEDULING CHANGES? return
- 9. SEGMENT LIMIT CHANGES? return
- 10. SYSTEM PROGRAM CHANGES? return
- 11. SYSTEM SL CHANGES? return

Configuring MPE

12. ENTER DUMP DATE?

return Copies the modified MPE. When this copy is used to COLDSTART the system, the account structure and all files remain intact.

mm/dd/yy where mm/dd/yy is some date in the future. Copies the modified MPE and the current accounting structure (but no files).

mm/dd/yy where mm/dd/yy is usually the date of the most recent system backup. Copies the modified MPE, the current accounting structure, and any files that were changed on or since the specified date.

0 Copies the entire system (MPE, the current accounting structure, and all files).

12.01 ENTER DUMP FILE SUBSETS? return

12.1 LIST FILES DUMPED? return

The console operator must now use the =REPLY command to assign the tape drive on which a fresh tape reel has been mounted.

I N P DUMP FACILITY

The INP Dump facility is used only by factory-level support personnel. It dumps the contents of the INP memory for analyzing the exact state of an INP in use. Invoked by either an INP hardware problem or an INP software problem, the dump data can be returned to the factory either on magnetic tape or in the form of a listing.

Dumping the INP and saving the data is done automatically by the system software. As dumps are completed, the data is stored into files named "INPLOGnn", where nn is a number not greater than the maximum number of dump files for the system. This limit assures that multiple INP dumps cannot adversely affect system storage.

Messages regarding INP dumps are directed to the system console. The initial message announces the dump and specifies which INP is dumping:

```
INP BOARD FAILURE - LDEV xx
```

where xx is the logical device number. Notification that the data has been saved and identification of the dump file appears next:

```
INP RAM DUMPED IN INPLOGnn
```

If the creation of this new INP dump file attains the maximum number allowed, another message is generated:

```
STORE AND PURGE ALL INPLOGnn FILES
```

Any further INP dumps will not be saved until the previous dump files are processed.

As previously mentioned, either of two media can be used for returning the INP dump data to the factory: magnetic tape or listing. The more obvious method is to store the INPLOG files onto a tape and send the tape to the factory. The other alternative is to run the INP Dump Analyzer against each INPLOG file. Each file then generates a listing of approximately 50 pages. These listings can be sent to the factory, thus eliminating the need for shipping magnetic tapes.

The latter method requires only a few simple MPE commands. The first step is to define the list file for the Analyzer. By default, the Analyzer will output to \$STDLIST for job execution or to a device class of LP for session execution. If another output device is desired, a file or device equation to INPLIST will assign the proper file/device.

INP Dump Facility

The required command to identify the dump file is:

```
FILE INPDUMP = INPLOGnn
```

The command that invokes the Analyzer is:

```
RUN INPDPAN.PUB.SYS
```

Note that INPDPAN does not purge the dump file; it must be done manually.

The following is a sample stream job:

```
!JOB INPDUMP,MANAGER/PSWD.INP  
!FILE INPDUMP=INPLOG01.PUB.SYS  
!RUN INPDPAN.PUB.SYS  
!EOJ
```

A

Apparatus used with Off-board Loopback tests, 1-2, 5-10

B

Basic Instruction Set Test, 5-3
BISYNC data communication, 4-3
BISYNC Test, 5-5
Block diagram, INP, 4-2
Board test hood, 1-2, 5-10

C

Cable routing, HP 3000/30, 2-9, 2-10
Cable routing, HP 3000/33, 2-9, 2-11
Cable test connector, 1-2, 5-10
Cables, data communication, installation of, 2-9
Cables, data communication, list of, 1-3
CE-supplied test equipment, 1-2, 1-4
Chip tests, 5-4
CMOS/SOS microprocessor, 4-1
Communication cable routing, 2-10, 2-11
Communication cables, installation of, 2-9
Communication line interfaces, 4-4
Compatibility, test equipment, 1-4
Components on INP PCA, location of pertinent, 5-6
Configuration dialogue, A-2
Configuration overview, A-1
Configuring MPE, A-1
Connector, cable test, 1-2, 5-10
Contents of this manual, vii
CS/Trace, 5-2

D

Data communication cables, installation of, 2-9
Data communication cables, list of, 1-3
Data transfer rate, 1-7
Defective RAM data chips, identifying, 5-9
Description of the INP Self Test, 5-3
Diagnostic/Support Monitor (DSM), 5-2
Dialogue, configuration, A-2
Direct Memory Access (DMA), 4-3
DMA, 4-3
DSLIN, 4-5
DSM, 5-2

Index

E

Equipment supplied, 1-2

F

Features of the INP, 1-5
Field repair, 5-11
Field replacement of a RAM chip, 5-11
Field-replaceable RAM chips, location of, 5-6
Functional description of INP, 4-1
Functional-level operation of INP, 4-4

G

General description, 1-1
General Information, 1-1

H

Hardware installation procedures, 2-6
Hood, board test, 1-2, 5-10
HP 3000/30 communication cable routing, 2-9, 2-10
HP 3000/30 POWER switch, location of, 2-7
HP 3000/33 communication cable routing, 2-9, 2-11
HP 3000/33 PROCESSOR switch, location of, 2-8
HP 30020A INP block diagram, 4-2
HP Support troubleshooting procedures, 5-7
HP-IB Address Switch settings, 2-4
HP-IB Address Switch, 2-2
HP-IB Address Switch, location of, 2-3, 5-6

I

Identifying defective RAM data chips, 5-9
Initial inspection, 2-1
INP block diagram, 4-2
INP Dump facility, 5-2, B-1
INP features, 1-5
INP Microprocessor, 4-1
INP PCA, installation of, 2-6
INP RAM, 4-3
INP ROM, 4-3
INP Self Test, 5-3
INP specifications, 1-7
Inspection, initial, 2-1
Installation, 2-1
Installation of multiple INPs, 2-14
Installation of the communication cables, 2-9
Installation of the INP PCA, 2-6
Installation procedures, hardware, 2-6

Installation, software, 2-12
 Installation verification, 2-12
 Interconnecting cable assemblies, 1-3
 Interface to system, 1-5
 Interpretation of LED patterns, 5-8

L

LED indicator patterns, meanings of, 5-8
 LED indicators, self-test, location of, 2-13
 List of illustrations, ix
 List of interconnecting cable assemblies, 1-3
 List of items that comprise the INP, 1-2
 List of tables, ix
 Location of PCA switches, 2-3
 Location of pertinent components on INP PCA, 5-6
 Location of POWER switch on HP 3000/30, 2-7
 Location of power switch (PROCESSOR switch) on HP 3000/33, 2-8
 Location of self-test initiating switch, 2-13
 Location of self-test LED indicators, 2-13, 5-6
 Logging onto the system, A-2

M

Maintenance, 5-1
 Maintenance aids, 5-2
 Manually initiating the self test, 2-12, 5-5, 5-6, 5-7
 Manuals, supplemental, v, vi
 Meanings of self-test LED indicator patterns, 5-8
 Method of replacing a RAM chip, 5-11
 Methods of field repair, 5-11, 5-12
 MPE, configuring, A-1
 Multiple INP installations, 2-14

O

Off-board loopback testing, 5-10
 Operating power, 2-2
 Operation of INP, functional-level, 4-4
 Operation of INP, system-level, 4-5
 Operation, principles of, 4-1
 Organization of this manual, v
 Overview of INP operation, 4-4, 4-5
 Overview of MPE configuration for INP, A-1

P

Part numbers of INP components, 1-2
 Part numbers of interconnecting cables, 1-3
 Part numbers of referenced manuals, v, vi
 Part numbers of test equipment, 1-4

Index

Patterns, lighted self-test LEDs, meanings of, 5-8
PCA board, installation of, 2-6
PCA board, replacement of, 5-12
PCA components, location of pertinent, 5-6
PCA jumpers and switches, 2-2
PCA switches, location of, 2-3
Philosophy, repair, 5-1
Power requirements, 2-2
POWER switch on HP 3000/30, location of, 2-7
Power switch (PROCESSOR switch) on HP 3000/33, location of, 2-8
Precautions, safety, 5-1
Preparation for installation, 2-1
Principles of Operation, 4-1
Procedures, hardware installation, 2-6
Procedures, troubleshooting, 5-5, 5-7
PROCESSOR switch on HP 3000/33, location of, 2-8
Programming Information, 3-1

R

RAM, 4-3
RAM chip, replacement of, 5-11
RAM chips, location of, 5-6
RAM Test, 5-4
Random Access Memory (RAM), 4-3
Rate of data transfer, 1-7
Read-Only Memory (ROM), 4-3
Recommended sequence of troubleshooting procedures, 5-7
Recommended switch settings, HP-IB Address Switch, 2-4
Recommended troubleshooting sequence, 5-7
Repair philosophy, 5-1
Repair, field, 5-11
Replacement of a RAM chip, 5-11
Replacement of the PCA board, 5-12
Requirements, power, 2-2
Reshipment instructions, 5-13
RESTART switch, location of, 2-13, 5-6
Returning PCA boards to the factory, 5-10, 5-13
Rocker switch pack, location of, 2-3, 5-6
Rocker switch positions, 2-5
ROM, 4-3
ROM Test, 5-4
Routing of the communication cables, 2-9, 2-10, 2-11, 5-1

S

Safety precautions, 5-1
SDLC data communication, 4-3
SDLC Test, 5-5

Self Test, 5-3
 Self Test
 Basic Instruction Set Test, 5-3
 BISYNC Test, 5-5
 RAM Test, 5-4
 ROM Test, 5-4
 SDLC Test, 5-5
 Timer Interrupt Test, 5-4
 Self-test initiating switch, location of, 2-13
 Self-test LEDs, location of, 2-13, 5-6
 Sequence of troubleshooting procedures, recommended, 5-7
 Setting the PCA switches, 2-2, 2-4, 2-5
 Shipping instructions, 5-13
 Software installation, 2-12
 SOS microprocessor, 4-1
 Specifications of the INP, 1-7
 Supplemental manuals, v, vi
 Support package, 5-2
 Switch settings, HP-IB Address Switch, 2-4
 Switch settings, rocker switch pack, 2-5
 System interfacing, 1-5, 1-6
 System-level operation of INP, 4-5

T

Test equipment, 1-2, 1-4
 Test equipment compatibility, 1-4
 Test failure signified by LED patterns, 5-8
 Theory of operation, 4-1
 Timer Interrupt Test, 5-4
 Troubleshooting, 5-5
 Troubleshooting
 Customer-user troubleshooting procedures, 5-5
 HP Support troubleshooting procedures, 5-7
 Troubleshooting procedures, customer-user, 5-5
 Troubleshooting procedures, HP Support, 5-7
 Troubleshooting procedures, recommended sequence, 5-7

U

Unpacking, 2-1

V

Verifying proper installation, 2-12

READER COMMENT SHEET
HP 30020A
Intelligent Network Processor (INP)
Installation and Service Manual
30020-90001 **Oct 1979**

We welcome your evaluation of this manual. Your comments and suggestions help us improve our publications. Please use additional pages if necessary.

Is this manual technically accurate? Yes No (If no, explain under Comments, below.)

Are the concepts and wording easy to understand? Yes No (If no, explain under Comments, below.)

Is the format of this manual convenient in size, arrangement, and readability? Yes No (If no, explain or suggest improvements under Comments, below.)

Comments:

FROM:

Name _____

Company _____

Address _____

FOLD

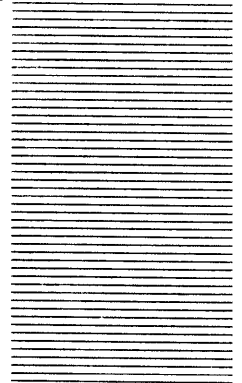
FOLD

FIRST CLASS
PERMIT NO. 1020
SANTA CLARA
CALIFORNIA

BUSINESS REPLY MAIL

No Postage Necessary if Mailed in the United States. Postage will be paid by

**Data Communications Support Group
Hewlett-Packard Company
General Systems Division
19447 Pruneridge Avenue
Cupertino, California 95014**



FOLD

FOLD

SALES & SERVICE OFFICES

AFRICA, ASIA, AUSTRALIA

ANGOLA

Teletra
Empresa Técnica de Equipamentos Eléctricos, S.A.R.L.
R. Barbosa Rodrigues, 42-^oDT.
Caixa Postal, 6487
Luanda
Tel: 355156
Cable: TELECFRA Luanda

AUSTRALIA

Hewlett-Packard Australia Pty. Ltd.
31-41 Joseph Street
Blackburn, Victoria 3130
P.O. Box 36
Doncaster East, Victoria 3109
Tel: 896351
Telex: 31-024
Cable: HEWPARD Melbourne
Hewlett-Packard Australia Pty. Ltd.
31 Bridge Street
Fyvie
New South Wales, 2073
Tel: 4496566
Telex: 21561
Cable: HEWPARD Sydney
Hewlett-Packard Australia Pty. Ltd.
153 Greenhill Road
Parkside, S.A., 5063
Tel: 2725911
Telex: 92536
Cable: HEWPARD Adelaide
Hewlett-Packard Australia Pty. Ltd.
141 Stirling Highway
Needlands, W.A. 6009
Tel: 385455
Telex: 93859
Cable: HEWPARD Perth
Hewlett-Packard Australia Pty. Ltd.
121 Wollongong Street
Fyshwick, A.C.T., 2609
Tel: 804244
Telex: 62850
Cable: HEWPARD Canberra
Hewlett-Packard Australia Pty. Ltd.
5th Floor
Teachers Union Building
495-499 Boundary Street
Spring Hill, Queensland 4000
Tel: 2291544
Cable: HEWPARD Brisbane

BANGLADESH

The General Electric Co. of Bangladesh Ltd.
Magnet House 72
Dilkusha Commercial Area
Motijheel, Dacca 2
Tel: 252415, 252419
Telex: 734
Cable: GECCOAC Dacca

ETHIOPIA

Abdella Abdulkalil
P.O. Box 2635
Addis Ababa
Tel: 11 93 40

GUAM

Medical Only
Guam Medical Supply, Inc.
Suite C, Airport Plaza
P.O. Box 8947
Tamuning 96911
Tel: 546-4513
Cable: EARMED Guam

HONG KONG

Schmidt & Co. (Hong Kong) Ltd.
Wing On Centre, 28th Floor
Connaught Road, C.
Hong Kong
Tel: 5-455644
Cable: 74766 SCHMC HX

INDIA

Blue Star Ltd.
Kasturi Buildings
Janshreeji Tala Rd
Bombay 400 020
Tel: 29 50 21
Telex: 011-2156
Cable: BLUEFROST
Blue Star Ltd.
Sabas
414/2 Vir Savarkar Marg
Prabhadevi
Bombay 400 025
Tel: 45 78 87
Telex: 011-4093
Cable: FROSTBLUE
Blue Star Ltd.
Brand House
Prabhadevi
Bombay 400 025
Tel: 45 75 01
Telex: 011-3751
Cable: BLUESTAR
Blue Star Ltd.
Shivdurg
Stadium Road
Ahmedabad 380 014
Tel: 42880
Cable: BLUESTAR
Blue Star Ltd.
7th & 8th Floor
99 Nehru Place
New Delhi 110 024
Tel: 634770 & 635166
Telex: 031-2483
Cable: BLUESTAR

JAPAN

Yokogawa-Hewlett-Packard Ltd.
Chuo Bldg., 4th Floor
4-20, Nishinakajima 5-chome
Yodogawa-ku, Osaka-shi
Osaka 532
Tel: 06-504-6021
Telex: 523-3624
Yokogawa-Hewlett-Packard Ltd.
29-21, Takaido-Higashi 3-chome
Suginami-ku, Tokyo 168
Tel: 33-331-6111
Telex: 232-2024 YHP-Tokyo
Cable: YHPMARKET TOK 23 724

JAPAN

Yokogawa-Hewlett-Packard Ltd.
380-55 Century St.
Winnipeg R3H 0Y1
Tel: (204) 786-6701
TWX: 610-671-3531

MANITOBA

Hewlett-Packard (Canada) Ltd.
380-55 Century St.
Winnipeg R3H 0Y1
Tel: (204) 786-6701
TWX: 610-671-3531

NOVA SCOTIA

Hewlett-Packard (Canada) Ltd.
800 Windmill Road
Dartmouth B3B 1L1
Tel: (902) 469-7820
TWX: 606-271-4482

ONTARIO

Hewlett-Packard (Canada) Ltd.
1020 Morrison Dr.
Ottawa K2H 8K7
Tel: (613) 820-6483
TWX: 610-563-1636
Hewlett-Packard (Canada) Ltd.
6877 Goreway Drive
Mississauga LV 1M8
Tel: (416) 678-9430
TWX: 610-492-4246
Hewlett-Packard (Canada) Ltd.
552 Newbold Street
London N6E 2S5
Tel: (519) 686-9181

QUEBEC

Hewlett-Packard (Canada) Ltd.
275 Hymus Blvd.
Pointe Claire H9R 1G7
Tel: (514) 697-4232
TWX: 610-422-3032
TLX: 05-821-521 HPCL

NEW ZEALAND

Hewlett-Packard (N.Z.) Ltd.
4-12 Cruickshank Street
Kilbirnie, Wellington 3
P.O. Box 8443
Courtnay Place
Wellington
Tel: 877-139
Cable: HEWPACK Wellington
Hewlett-Packard (N.Z.) Ltd.
Laguna Professional Centre
267 Pakuranga Highway
Box 51092
Pakuranga
Tel: 331955
Cable: HEWPACK Auckland
Analytical/Medical Only
Medical Supplies N.Z. Ltd.
Scientific Division
79 Carlton Gore Road, Newmarket
P.O. Box 1234
Auckland
Tel: 75-289
Cable: DENTAL Auckland
Analytical/Medical Only
Medical Supplies N.Z. Ltd.
Norrie and Parumuana Streets
Porirua
Tel: 75-098
Telex: 3858
Analytical/Medical Only
Medical Supplies N.Z. Ltd.
329 Stanmore Road
Christchurch
Tel: 892-019
Cable: DENTAL Christchurch
Analytical/Medical Only
Medical Supplies N.Z. Ltd.
303 Great King Street
P.O. Box 233
Dunedin
Tel: 802-1040
Telex: 88-817
Cable: DENTAL Dunedin

PHILIPPINES

The Online Advanced Systems Corporation
Rico House
Amorsolo cor. Herrera Str.
Laguna Village, Makati
P.O. Box 1510
Metro Manila
Tel: 85-35-81, 85-34-91, 85-32-21
Telex: 3274 ONLINE
RHODESIA
Hewlett-Packard Singapore
Field Technical Sales
45 Kelvin Road North
P.O. Box 3458
Salisbury
Tel: 705231 (5 lines)
Cable: RH 4122

SINGAPORE

Hewlett-Packard Singapore
Pte. Ltd.
1150 Depot Road
Alexandra P.O. Box 58
Singapore 4
Tel: 270-2355
Telex: HPSG RS 21486
Cable: HEWPACK, Singapore
SOUTH AFRICA
Hewlett-Packard South Africa
Pty. Ltd.
Private Bag Wendywood,
Sandton, Transvaal, 2144
Hewlett-Packard Centre
Daphne Street, Wendywood,
Sandton, 2144
Tel: 802-1040
Telex: 88-817
Cable: HEWPACK Johannesburg

TANZANIA

Medical Only
International Aeradio (E.A.) Ltd.
P.O. Box 861
Dar es Salaam
Tel: 21251 Ext. 285
Telex: 41030
THAILAND
UNIMESA Co. Ltd.
Elom Research Building
2538 Sukumvit Ave.
Bangchak Bangkok
Tel: 393287, 393038
Cable: UNIMESA Bangkok

UGANDA

Medical Only
International Aeradio (E.A.) Ltd.
P.O. Box 2577
Kampala
Tel: 54388
Cable: INTAERIO Kampala

ZAMBIA

R.J. Tibury (Zambia) Ltd.
P.O. Box 2792
Lusaka
Tel: 73793
Cable: ARJAYTEE, Lusaka

OTHER AREAS NOT LISTED, CONTACT:

Hewlett-Packard International
3200 Hillview Ave.
Palo Alto, California 94304
Tel: (415) 856-1501
TWX: 910-373-1267
Cable: HEWPACK Palo Alto
Tel: 034-8300, 034-8493

OTHER AREAS NOT LISTED, CONTACT:

Hewlett-Packard International
3200 Hillview Ave.
Palo Alto, California 94304
Tel: (415) 856-1501
TWX: 910-373-1260
Cable: HEWPACK Palo Alto
Tel: 034-8300, 034-8493

OTHER AREAS NOT LISTED, CONTACT:

Hewlett-Packard International
3200 Hillview Ave.
Palo Alto, California 94304
Tel: (415) 856-1501
TWX: 910-373-1260
Cable: HEWPACK Palo Alto
Tel: 034-8300, 034-8493

OTHER AREAS NOT LISTED, CONTACT:

Hewlett-Packard International
3200 Hillview Ave.
Palo Alto, California 94304
Tel: (415) 856-1501
TWX: 910-373-1260
Cable: HEWPACK Palo Alto
Tel: 034-8300, 034-8493

OTHER AREAS NOT LISTED, CONTACT:

Hewlett-Packard International
3200 Hillview Ave.
Palo Alto, California 94304
Tel: (415) 856-1501
TWX: 910-373-1260
Cable: HEWPACK Palo Alto
Tel: 034-8300, 034-8493

OTHER AREAS NOT LISTED, CONTACT:

Hewlett-Packard International
3200 Hillview Ave.
Palo Alto, California 94304
Tel: (415) 856-1501
TWX: 910-373-1260
Cable: HEWPACK Palo Alto
Tel: 034-8300, 034-8493

OTHER AREAS NOT LISTED, CONTACT:

Hewlett-Packard International
3200 Hillview Ave.
Palo Alto, California 94304
Tel: (415) 856-1501
TWX: 910-373-1260
Cable: HEWPACK Palo Alto
Tel: 034-8300, 034-8493

OTHER AREAS NOT LISTED, CONTACT:

Hewlett-Packard International
3200 Hillview Ave.
Palo Alto, California 94304
Tel: (415) 856-1501
TWX: 910-373-1260
Cable: HEWPACK Palo Alto
Tel: 034-8300, 034-8493

OTHER AREAS NOT LISTED, CONTACT:

Hewlett-Packard International
3200 Hillview Ave.
Palo Alto, California 94304
Tel: (415) 856-1501
TWX: 910-373-1260
Cable: HEWPACK Palo Alto
Tel: 034-8300, 034-8493

OTHER AREAS NOT LISTED, CONTACT:

Hewlett-Packard International
3200 Hillview Ave.
Palo Alto, California 94304
Tel: (415) 856-1501
TWX: 910-373-1260
Cable: HEWPACK Palo Alto
Tel: 034-8300, 034-8493

OTHER AREAS NOT LISTED, CONTACT:

Hewlett-Packard International
3200 Hillview Ave.
Palo Alto, California 94304
Tel: (415) 856-1501
TWX: 910-373-1260
Cable: HEWPACK Palo Alto
Tel: 034-8300, 034-8493

OTHER AREAS NOT LISTED, CONTACT:

Hewlett-Packard International
3200 Hillview Ave.
Palo Alto, California 94304
Tel: (415) 856-1501
TWX: 910-373-1260
Cable: HEWPACK Palo Alto
Tel: 034-8300, 034-8493

OTHER AREAS NOT LISTED, CONTACT:

Hewlett-Packard International
3200 Hillview Ave.
Palo Alto, California 94304
Tel: (415) 856-1501
TWX: 910-373-1260
Cable: HEWPACK Palo Alto
Tel: 034-8300, 034-8493

OTHER AREAS NOT LISTED, CONTACT:

Hewlett-Packard International
3200 Hillview Ave.
Palo Alto, California 94304
Tel: (415) 856-1501
TWX: 910-373-1260
Cable: HEWPACK Palo Alto
Tel: 034-8300, 034-8493

OTHER AREAS NOT LISTED, CONTACT:

Hewlett-Packard International
3200 Hillview Ave.
Palo Alto, California 94304
Tel: (415) 856-1501
TWX: 910-373-1260
Cable: HEWPACK Palo Alto
Tel: 034-8300, 034-8493

OTHER AREAS NOT LISTED, CONTACT:

Hewlett-Packard International
3200 Hillview Ave.
Palo Alto, California 94304
Tel: (415) 856-1501
TWX: 910-373-1260
Cable: HEWPACK Palo Alto
Tel: 034-8300, 034-8493

OTHER AREAS NOT LISTED, CONTACT:

Hewlett-Packard International
3200 Hillview Ave.
Palo Alto, California 94304
Tel: (415) 856-1501
TWX: 910-373-1260
Cable: HEWPACK Palo Alto
Tel: 034-8300, 034-8493

OTHER AREAS NOT LISTED, CONTACT:

Hewlett-Packard International
3200 Hillview Ave.
Palo Alto, California 94304
Tel: (415) 856-1501
TWX: 910-373-1260
Cable: HEWPACK Palo Alto
Tel: 034-8300, 034-8493

OTHER AREAS NOT LISTED, CONTACT:

Hewlett-Packard International
3200 Hillview Ave.
Palo Alto, California 94304
Tel: (415) 856-1501
TWX: 910-373-1260
Cable: HEWPACK Palo Alto
Tel: 034-8300, 034-8493

OTHER AREAS NOT LISTED, CONTACT:

Hewlett-Packard International
3200 Hillview Ave.
Palo Alto, California 94304
Tel: (415) 856-1501
TWX: 910-373-1260
Cable: HEWPACK Palo Alto
Tel: 034-8300, 034-8493

OTHER AREAS NOT LISTED, CONTACT:

Hewlett-Packard International
3200 Hillview Ave.
Palo Alto, California 94304
Tel: (415) 856-1501
TWX: 910-373-1260
Cable: HEWPACK Palo Alto
Tel: 034-8300, 034-8493

OTHER AREAS NOT LISTED, CONTACT:

Hewlett-Packard International
3200 Hillview Ave.
Palo Alto, California 94304
Tel: (415) 856-1501
TWX: 910-373-1260
Cable: HEWPACK Palo Alto
Tel: 034-8300, 034-8493

OTHER AREAS NOT LISTED, CONTACT:

Hewlett-Packard International
3200 Hillview Ave.
Palo Alto, California 94304
Tel: (415) 856-1501
TWX: 910-373-1260
Cable: HEWPACK Palo Alto
Tel: 034-8300, 034-8493

OTHER AREAS NOT LISTED, CONTACT:

Hewlett-Packard International
3200 Hillview Ave.
Palo Alto, California 94304
Tel: (415) 856-1501
TWX: 910-373-1260
Cable: HEWPACK Palo Alto
Tel: 034-8300, 034-8493

OTHER AREAS NOT LISTED, CONTACT:

Hewlett-Packard International
3200 Hillview Ave.
Palo Alto, California 94304
Tel: (415) 856-1501
TWX: 910-373-1260
Cable: HEWPACK Palo Alto
Tel: 034-8300, 034-8493

OTHER AREAS NOT LISTED, CONTACT:

Hewlett-Packard International
3200 Hillview Ave.
Palo Alto, California 94304
Tel: (415) 856-1501
TWX: 910-373-1260
Cable: HEWPACK Palo Alto
Tel: 034-8300, 034-8493

OTHER AREAS NOT LISTED, CONTACT:

Hewlett-Packard International
3200 Hillview Ave.
Palo Alto, California 94304
Tel: (415) 856-1501
TWX: 910-373-1260
Cable: HEWPACK Palo Alto
Tel: 034-8300, 034-8493

OTHER AREAS NOT LISTED, CONTACT:

Hewlett-Packard International
3200 Hillview Ave.
Palo Alto, California 94304
Tel: (415) 856-1501
TWX: 910-373-1260
Cable: HEWPACK Palo Alto
Tel: 034-8300, 034-8493

OTHER AREAS NOT LISTED, CONTACT:

Hewlett-Packard International
3200 Hillview Ave.
Palo Alto, California 94304
Tel: (415) 856-1501
TWX: 910-373-1260
Cable: HEWPACK Palo Alto
Tel: 034-8300, 034-8493

OTHER AREAS NOT LISTED, CONTACT:

Hewlett-Packard International
3200 Hillview Ave.
Palo Alto, California 94304
Tel: (415) 856-1501
TWX: 910-373-1260
Cable: HEWPACK Palo Alto
Tel: 034-8300, 034-8493

OTHER AREAS NOT LISTED, CONTACT:

Hewlett-Packard International
3200 Hillview Ave.
Palo Alto, California 94304
Tel: (415) 856-1501
TWX: 910-373-1260
Cable: HEWPACK Palo Alto
Tel: 034-8300, 034-8493

OTHER AREAS NOT LISTED, CONTACT:

Hewlett-Packard International
3200 Hillview Ave.
Palo Alto, California 94304
Tel: (415) 856-1501
TWX: 910-373-1260
Cable: HEWPACK Palo Alto
Tel: 034-8300, 034-8493

OTHER AREAS NOT LISTED, CONTACT:

Hewlett-Packard International
3200 Hillview Ave.
Palo Alto, California 94304
Tel: (415) 856-1501
TWX: 910-373-1260
Cable: HEWPACK Palo Alto
Tel: 034-8300, 034-8493

OTHER AREAS NOT LISTED, CONTACT:

Hewlett-Packard International
3200 Hillview Ave.
Palo Alto, California 94304
Tel: (415) 856-1501
TWX: 910-373-1260
Cable: HEWPACK Palo Alto
Tel: 034-8300, 034-8493

OTHER AREAS NOT LISTED, CONTACT:

Hewlett-Packard International
3200 Hillview Ave.
Palo Alto, California 94304
Tel: (415) 856-1501
TWX: 910-373-1260
Cable: HEWPACK Palo Alto
Tel: 034-8300, 034-8493

OTHER AREAS NOT LISTED, CONTACT:

Hewlett-Packard International
3200 Hillview Ave.
Palo Alto, California 94304
Tel: (415) 856-1501
TWX: 910-373-1260
Cable: HEWPACK Palo Alto
Tel: 034-8300, 034-8493

OTHER AREAS NOT LISTED, CONTACT:

Hewlett-Packard International
3200 Hillview Ave.
Palo Alto, California 94304
Tel: (415) 856-1501
TWX: 910-373-1260
Cable: HEWPACK Palo Alto
Tel: 034-8300, 034-8493

OTHER AREAS NOT LISTED, CONTACT:

Hewlett-Packard International
3200 Hillview Ave.
Palo Alto, California 94304
Tel: (415) 856-1501
TWX: 910-373-1260
Cable: HEWPACK Palo Alto
Tel: 034-8300, 034-8493

OTHER AREAS NOT LISTED, CONTACT:

Hewlett-Packard International
3200 Hillview Ave.
Palo Alto, California 94304
Tel: (415) 856-1501
TWX: 910-373-1260
Cable: HEWPACK Palo Alto
Tel: 034-8300, 034-8493

OTHER AREAS NOT LISTED, CONTACT:

Hewlett-Packard International
3200 Hillview Ave.
Palo Alto, California 94304
Tel: (415) 856-1501
TWX: 910-373-1260
Cable: HEWPACK Palo Alto
Tel: 034-8300, 034-8493

OTHER AREAS NOT LISTED, CONTACT:

Hewlett-Packard International
3200 Hillview Ave.
Palo Alto, California 94304
Tel: (415) 856-1501
TWX: 910-373-1260
Cable: HEWPACK Palo Alto
Tel: 034-8300, 034-8493

OTHER AREAS NOT LISTED, CONTACT:

Hewlett-Packard International
3200 Hillview Ave.
Palo Alto, California 94304
Tel: (415) 856-1501
TWX: 910-373-1260
Cable: HEWPACK Palo Alto
Tel: 034-8300, 034-8493

OTHER AREAS NOT LISTED, CONTACT:

Hewlett-Packard International
3200 Hillview Ave.
Palo Alto, California 94304
Tel: (415) 856-1501
TWX: 910-373-1260
Cable: HEWPACK Palo Alto
Tel: 034-830

AUSTRIA
Hewlett-Packard Ges. m.b.H.
Handelskai 52
P.O. Box 7
A-1205 Vienna
Tel: 351621-27
Cable: HEWPAK Vienna
Telex: 73922 hewpak a

FINLAND
Hewlett-Packard OY
Nahkonisuunit 5
P.O. Box
SF-00211 Helsinki 21
Tel: (0) 6923031
FRANCE
Hewlett-Packard France
Les Usines des Tropiques
Boite Postale No. 6
91401 Orsay-Cedex
Tel: (1) 307 78 25
TWX: 50049F
Hewlett-Packard France
Chemin des Mouilles
B.P. 162
69130 Ecotily
Tel: (78) 33 81 25,
TWX: 310817F
Hewlett-Packard France
Périmètre de la Cigpère
31081 Toulouse-Le Mirail
Tel: (61) 40 11 12
TWX: 510957F
Hewlett-Packard France
Le Liguorès
Bureau de vente de Marseilles
Place Roué de Villeneuve
13100 Aix-en-Provence
Tel: (42) 59 41 02
Hewlett-Packard France
2, Allée de la Bourgnette
35100 Rennes
Tel: (89) 51 42 44
TWX: 74021F
Hewlett-Packard France
18, rue du Canal de la Marne
67300 Schiltigheim
Tel: (88) 30 08 10
TWX: 890141F
Hewlett-Packard France
Immeuble péricentre
Rue van Gogh
59660 Villeneuve D Ascy
Tel: (20) 91 41 25
TWX: 18012AF
Hewlett-Packard France
Bureau de vente de Marseilles
Centre d'affaires Paris-Nord
Bâtiment Ampère
Rue de la Commune de Paris
B.P. 300
33153 Le Blanc Mesnil Cédex
Tel: (01) 931 88 50
Hewlett-Packard France
Av. du Prof. Kennedy
33700 Mérignac
Tel: (66) 97 22 69
Hewlett-Packard France
"France-Evy" Immeuble Lorraine
Bolevard de France
91035 Evry-Cedex
Tel: 077 96 60
Hewlett-Packard France
80, Rue de Metz
57130 Jouy aux Arches
Tel: (87) 69 45 32
GERMAN FEDERAL REPUBLIC
Hewlett-Packard GmbH
Vertriebszentrale Frankfurt
Bernar Strasse 117
Postfach 560 140
D-6000 Frankfurt 56
Tel: (0611) 50-04-1
Cable: HEWPAKSA Frankfurt
Tel: 04 13249 hpfm d
Hewlett-Packard GmbH
Technisches Büro Böblingen
Heerenberg Strasse 110
D-7030 Böblingen, Württemberg
Tel: (0703) 667-1
Cable: HEWPAKGB Böblingen
Tel: 07265730
Hewlett-Packard GmbH
Technisches Büro Düsseldorf
Emanuel-Leute-Str. 1 (Seestern)
D-4000 Düsseldorf
Tel: (0211) 59711
Tel: 085/86 533 hppd d
Hewlett-Packard GmbH
Technisches Büro Hamburg
Wendenstrasse 23
D-2000 Hamburg 1
Tel: (040) 24 13 93

Cable: HEWPAKSA Hamburg
Tel: 21 63 032 hphd d
Hewlett-Packard GmbH
Technisches Büro Hannover
Am Grossmarkt 6
D-3000 Hannover 91
Tel: (0511) 46 60 01
Tel: 092 3259
Hewlett-Packard GmbH
Technisches Büro Nürnberg
Neumeyerstrasse 90
D-8500 Nürnberg
Tel: (0911) 56 30 83
TWX: 60623 860
Hewlett-Packard GmbH
Technisches Büro München
Eschenstrasse 5
D-8021 Taufkirchen
Tel: (089) 6117-1
Hewlett-Packard GmbH
Technisches Büro Berlin
Kalthstrasse 2-4
D-1000 Berlin 30
Tel: (030) 24 90 86
Tel: 018 3405 hpbm d
GREECE
Kostas Karayannis
8 Omirou Street
Athens 133
Tel: 32 30 303/02/37 731
Analytical Only
INTECO
G. Papatassiou & Co.
P.O. Box 1152
Nicosia
Tel: 45628/29
Cable: Kyprocnis Pandehis
Telex: 3018
CZECHOSLOVAKIA
Vývojova a Provozni Zakladna
Vyskumnych Ustavu v Behovnich
CSSR-25087 Behovnice u Prahy
Tel: 89 93 41
Tel: 12133
Institute of Medical Biosciences
Vyskumny Ustav Lekarskej Bioniky
Jedlova 1
CS-8346
Bratislava-Kramare
Tel: 4251
Tel: 93229
DDR
Entwicklungslabor der TU Dresden
Forschungsinstitut Meinsberg
DDR-7305
Waldheim/Meinsberg
Tel: 37 867
Tel: 51841
Export Contact AG Zuerich
Guenther Forgbler
Schlegelstrasse 15
1040 Berlin
Tel: 42-74-12
Tel: 111869
DENMARK
Hewlett-Packard A/S
Datavej 52
DK-3460 Birkerød
Tel: (02) 61 66 40
Cable: HEWPAK AS
Tel: 37409 hpas dk
Hewlett-Packard A/S
Navervej 1
DK-8600 Silkeborg
Tel: (05) 82 71 66
Tel: 37409 hpas dk
Cable: HEWPAK AS
EGYPT
I.E.A.
International Engineering Associates
24 Hussein Hegazi Street
Kast-el-Ami
Cairo
Tel: 23 829
Tel: 93830
Cable: INTENGASSO
SAMITRO
Sami Amiri Trading Office
18 Abdel Aziz Gawish
Abdine-Cairo
Tel: 24822
Cable: SAMITRO CAIRO

ITALY
Hewlett-Packard Italiana S.p.A.
Via G. Vittorio, 9
20063 Carmusco
Am. Sirolo (MI)
Tel: (2) 903691
Tel: 311046 HEWPAKIT
Hewlett-Packard Italiana S.p.A.
Via Turazza, 14
35100 Padova
Tel: (49) 654688
Tel: 41612 HEWPAKIT
Hewlett-Packard Italiana S.p.A.
Via G. Armetelli 10
1-00143 Roma
Tel: (06) 54 69 61
Tel: 61514
Cable: HEWPAKIT Roma
Tel: (089) 6117-1
Hewlett-Packard Italiana S.p.A.
Corso Giovanni Lanza 94
I-10133 Torino
Tel: (011) 682245/653308
Medical/Calculators Only
Hewlett-Packard Italiana S.p.A.
Via Principe Nicola 43 G/C
I-95126 Catania
Tel: (095) 37 05 04
Hewlett-Packard Italiana S.p.A.
Via Nuova San Rocco A.
Capodimonte, 62A
I-80131 Napoli
Tel: (081) 7915544
Hewlett-Packard Italiana S.p.A.
Via Meati, 9/6
I-40137 Bologna
Tel: (051) 307887/300040
JORDAN
Mousher Cousins Co.
P.O. Box 1387
Amman
Tel: 24907/39907
Tel: SABCO JO 1456
Cable: MOUASHERCO
KUWAIT
Al-Khaldiya Trading & Contracting
P.O. Box 830-Safat
Kuwait
Tel: 42 4910/41 1726
LUXEMBURG
Hewlett-Packard Benelux
S.A.N.V.
Avenue du Col-Vert, 1
(Groenkraaglaan)
B-1170 Brussels
Tel: (02) 672 22 40
Tel: PALOEN Brussels
Telex: 23 494
MOROCCO
Doubaou
81 rue Karatchi
Casablanca
Tel: 3041 82
Tel: 23051/22822
Cable: MATERIO
Gerap
3, rue d'Agadir
Casablanca
Tel: 27093/5
Tel: 23739
Cable: GEREP-CASA
Copeidri
31 rue Omar Slatoui
Casablanca
Tel: 27 63 40
Tel: 2137/23003
Cable: COGEDIR
NETHERLANDS
Hewlett-Packard Benelux N.V.
Van Heuven Goedhartian 121
P.O. Box 86
NL-Amstelveen 1134
Tel: (020) 47 20 21
NORWAY
Hewlett-Packard Norge A/S
Osterdalen 18
P.O. Box 34
1345 Osteras
Tel: (02) 1711 80
Tel: 16621 hpnas n
Heggardsgaten 114
5000 Bergen

POLAND
Biv. Informacji Technicznej
Hewlett-Packard
Ul. Stawki 2, 6P
00-950 Warszawa
Tel: 33 25 88/89 67 43
Tel: 141 24 53 hepa pl
UNIPAN
Biuro Obslugi Technicznej
01-447 Warszawa
ul. Nowelaka 6
Poland
Zaklady Naprawcze Sprzetu
Medycznego
Plac Komuny Paryskiej 6
90-007 Lodz
Tel: 354/2, 337-83
Tel: 896961
PORTUGAL
Teletra-Empresa Técnica de
Equipamentos Electricos S.a.r.l.
Rue Rodrigo da Fonseca 103
P.O. Box 2531
P-Lisbon
Tel: (19) 86 60 72
Cable: TELETRA Lisbon
Tel: 12598
Medical only
Mundinter
Intercomércio Mundial de Comércio
S.a.r.l.
P.O. Box 2761
Avenida Antonio Augusto
de Aguiar 158
P-Lisbon
Tel: (19) 53 21 31/7
Tel: 16891 munter p
Cable: INTERCAMBIO Lisbon
QATAR
Nasser Trading & Contracting
P.O. Box 1563
Doha
Tel: 22170
Tel: 4439 NASSER
Cable: NASSER
RUMANIA
Hewlett-Packard Reprezentanta
Bd. n. Balcescu 16
Bucuresti
Tel: 15 80 23/13 88 85
Tel: 10440
I.L.R.U.S.O.
Intreprinderarea Pentru
Intretinerea
Si Reparatara Utilajelor de Calcul
B-dul Prof. Dimitrie Pompei 6
Bucuresti Sectorul 2
Tel: 88-20/70, 88-24/40, 88-67-95
Tel: 118
SAUDI ARABIA
Modern Electronic
Establishment (Head Office)
P.O. Box 1228, Baghdadiat Street
Jeddah
Tel: 27 798
Tel: 40035
Cable: ESTETA JEDDAH
Modern Electronic
Establishment (Branch)
P.O. Box 2728
Riyadh
Tel: 82596/66232
Cable: RAOUFCO
Modern Electronic
Establishment (Branch)
P.O. Box 193
Al-Khobar
Tel: 44678-44813
SPAIN
Hewlett-Packard Española, S.A.
Calle Jerez 3
E-Madrid 16
Tel: (1) 458 26 00 (10 lines)
Tel: 23515 tpe
Hewlett-Packard Española, S.A.
Colonia Mirasierra
Edificio Juban
% Costa Brava, 13
Madrid 34
Tel: (02) 1711 80
Hewlett-Packard Española, S.A.
Milaneseo 21-23
E-Barcelona 17
Tel: (3) 203 6200 (5 lines)

Hewlett-Packard Española, S.A.
Av. Ramón y Cajal, 1
Edificio Sevilla, planta 9
-Seville 5-
Tel: 64 44 54/68
Hewlett-Packard Española S.A.
Edificio Albia 11 7- 8
E-Barcelona
Tel: 23 83 06/23 82 06
Hewlett-Packard Española S.A.
C/Ramon Gordillo 1
(Entlo.)
E-Valladolid
Tel: 96-361 13 54/361 13 58
SWEDEN
Hewlett-Packard Sverige AB
Enighetsvägen 3, Fack
S-161 Bromma 20
Tel: (08) 730 05 50
Tel: 10721
Cable: MEASUREMENTS
Stockholm
Hewlett-Packard Sverige AB
Frötagatan 30
P-Lisbon
Tel: (19) 86 60 72
Tel: (031) 49 09 50
Tel: 10721 via Bromma office
SWITZERLAND
Hewlett-Packard (Schweiz) AG
Zürcherstrasse 20
P.O. Box 307
CH-8002 Schlieren-Zurich
Tel: (01) 7305240
Tel: 53933 hpag ch
Cable: HPAG CH
Hewlett-Packard (Schweiz) AG
Chalet, Bloc 19
CH-119 La Lignon-Geneva
Tel: (022) 96 03 22
Tel: 27333 hpag ch
Cable: HEWPAKAG Geneva
SYRIA
General Electronic Inc.
Nuri Basha-Almal Ebn Kays Street
P.O. Box 5781
Damascus
Tel: 33 24 87
Tel: 1215 ITRICAL
Cable: ELECTROBOR DAMASCUS
Medical/Personal Calculator only
Sawah & Co.
Place Azémé
B.P. 2582
Damascus
Tel: 16 367-19 697-14 268
Suleiman Hillal El Mawi
P.O. Box 2526
Manoum Bilar Street, 56-58
Damascus/Tel: 11 46 63
TUNISIA
Tunisie Electronique
31 Avenue de la Liberté
Tunis
Tel: 280 144
Corema
1 ter. Av. de Carthage
Tel: 253 821
Tel: 12319 CABAM TN
TURKEY
TEKNIM Company Ltd.
Riza San. Parki
Caddesi No. 7
Kavaklıdere, Ankara
Tel: 275800
Tel: 42155
Teknim Com., Ltd.
Barbaros Bulvarı 55/12
Beşiktaş, İstanbul
Tel: 613 546
Tel: 23540
Medical only
E.M.A.
Kor-Kilisli Kalkolitik Sirketi
Mediha Edem Sokak 41/6
Yüksel Caddesi
Ankara
Tel: 17 56 22
Cable: EMATRADE/Ankara
Analytical only
Hewlett-Packard Ankara
Milli Müdafaa Cad 16/6
Kizilay

YUGOSLAVIA
Iskra-Standard Hewlett-Packard
Miklosicova 38/III
61000 Ljubljana
Tel: 31 798-2162 16 74
SOCIALIZED COUNTRIES
NOT SHOWN PLEASE CONTACT:
Hewlett-Packard Ges. m.b.H
Handelskai 52
P.O. Box 1205
A-1205 Vienna, Austria
Tel: (0222) 35 16 21 to 27
MEDITERRANEAN AND
MIDDLE EAST COUNTRIES
NOT SHOWN PLEASE CONTACT:
Hewlett-Packard S.A.
Mediterranean and Middle
East Operations
35, Kolokotroni Street
Plata Petralofa
GR-Kissia-Athens, Greece
Tel: 8080337/259/429
FOR OTHER AREAS
NOT LISTED CONTACT
Hewlett-Packard S.A.
7, rue du Bois-du-Lan
P.O. Box
CH-1217 Meyrin 2 - Geneva
Switzerland
Tel: (022) 82 70 00

ANKARA
Tel: 25 03 09 - 17 80 26
Tel: 42576 OZEK TR
Cable: OZYUREK ANKARA
UNITED ARAB EMIRATES
Emtitac Ltd. (Head Office)
P.O. Box 1641
Sharjah
Tel: 354121/3
Tel: 8136
Emtitac Ltd. (Branch Office)
P.O. Box 2711
Ajah Dhabl
Tel: 31370/10
UNITED KINGDOM
Hewlett-Packard Ltd.
King Street Lane
Winnereah, Wokingham
Berks. RG11 5AA
Tel: (0734) 784774
Tel: 847178/9
Hewlett-Packard Ltd.
Trafalgar House
Navigation Road
Atrincham
Cheshire WA14 1NU
Tel: (061) 928 6422
Tel: 869068
Hewlett-Packard Ltd.
Ligon Court
Herward Rise
Dudley Road
Halesowen,
Wolves. B62 8SD
Tel: (021) 550 9911
Tel: 339105
Hewlett-Packard Ltd.
Wedge House
79A London Road
Thornton Heath
Surrey CR4 6XL
Tel: (01) 6840103
Tel: 948625
Hewlett-Packard Ltd
10, Wesley St.
Westfield
Yorkshire WA14 1NE
Tel: (0977) 550016
Tel: 527365
Hewlett-Packard Ltd
1, Wallace Way
Hitchin
Hertfordshire, SG4 0SE
Tel: (0452) 31111
Tel: 82-59-81
USSR
Hewlett-Packard
Representative Office USSR
Pokrovsky Boulevard 4/17-kv 12
Moscow 101000
Tel: 294 20 24
Tel: 7825 hewpak su
YUGOSLAVIA
Iskra-Standard Hewlett-Packard
Miklosicova 38/III
61000 Ljubljana
Tel: 31 798-2162 16 74
SOCIALIZED COUNTRIES
NOT SHOWN PLEASE CONTACT:
Hewlett-Packard Ges. m.b.H
Handelskai 52
P.O. Box 1205
A-1205 Vienna, Austria
Tel: (0222) 35 16 21 to 27
MEDITERRANEAN AND
MIDDLE EAST COUNTRIES
NOT SHOWN PLEASE CONTACT:
Hewlett-Packard S.A.
Mediterranean and Middle
East Operations
35, Kolokotroni Street
Plata Petralofa
GR-Kissia-Athens, Greece
Tel: 8080337/259/429
FOR OTHER AREAS
NOT LISTED CONTACT
Hewlett-Packard S.A.
7, rue du Bois-du-Lan
P.O. Box
CH-1217 Meyrin 2 - Geneva
Switzerland
Tel: (022) 82 70 00

ALABAMA
P.O. Box 4207
8250 Whitesburg Dr.
Huntsville 35802
Tel: (205) 881-4591
8933 E. Roebuck Blvd.
Birmingham 35206
Tel: (205) 836-2202
ARIZONA
2336 E. Magnolia St.
Phoenix 85034
Tel: (602) 244-1361
2424 East Aragon Rd.
Tucson 85706
Tel: (602) 889-4661
ARKANSAS
Medical Service Only
P.O. Box 3646
Little Rock 72215
Tel: (501) 376-1844
CALIFORNIA
1579 W. Shaw Ave.
Fresno 93711
Tel: (209) 224-0582
1430 East Orangetherpe Ave.
Fullerton 92631
Tel: (714) 870-1000
3939 Lankenshirm Boulevard
North Hollywood 91604
Tel: (213) 871-1282
TWX: 910-499-2671
5400 West Rosecrans Blvd.
P.O. Box 92105
World Way Postal Center
Los Angeles 90009
Tel: (213) 776-7500
TWX: 910-325-6608
Los Angeles
Tel: (213) 776-7500
Tel: (404) 736-0592
3003 Scott Boulevard
Santa Clara 95050
Tel: (408) 988-7000
Ridgest
Tel: (714) 446-6165
646 W. North Market Blvd
Sacramento 95834
Tel: (916) 928-7222

1606 Aero Drive
P.O. Box 23333
San Diego 92123
Tel: (714) 279-3200
Tazane
Tel: (213) 705-3344
COLORADO
5600 DTC Parkway
Englewood 80110
Tel: (303) 771-3455
CONNECTICUT
12 Lunar Drive
New Haven 06525
Tel: (203) 389-6551
TWX: 710-465-2029
FLORIDA
P.O. Box 24210
2727 N.W. 62nd Street
P.L. Lauderdale Lakes 33309
Tel: (305) 973-2600
4428 Emerson Street
Unit 103
Jacksonville 32207
Tel: (904) 726-6353
P.O. Box 13910
6177 Lake Ellenor Dr.
Orlando 32809
Tel: (305) 859-2900
P.O. Box 12826
Suite 5, Bldg. 1
North Hollywood 91604
Tel: (213) 871-1282
TWX: 910-499-2671
Pensacola 32575
Tel: (904) 476-8422
GEORGIA
P.O. Box 105005
450 Interstate North Parkway
Atlanta 30348
Tel: (404) 955-1500
Medical Service Only
*Augusta 30903
Tel: (404) 736-0592
P.O. Box 2103
12 N. Davis Drive
Warner Robins 31098
Tel: (912) 922-0449
HAWAII
2875 So. King Street
Honolulu 96826
Tel: (808) 955-4455

ILLINOIS
2201 Tolliver Dr.
Rolling Meadows 60008
Tel: (714) 255-9800
TWX: 910-687-2260
INDIANA
7301 North Shadeland Ave.
Indianapolis 46250
Tel: (317) 842-1000
TWX: 810-260-1797
2415 Heinz Road
Lowa City 52240
Tel: (319) 338-9466
KENTUCKY
Medical Only
3901 Atkinson Dr.
Suite 407 Atkinson Square
Louisville 40218
Tel: (602) 456-1573
LOUISIANA
P.O. Box 1449
3229-39 Williams Boulevard
Metairie 70003
Tel: (504) 443-8201
MARYLAND
7121 Standard Drive
Parkway Industrial Center
Hanover 21076
Tel: (301) 796-7700
Tel: (301) 862-1943
2 Choke Cherry Road
Rockville 20850
Tel: (301) 948-8370
TWX: 710-828-9684
MASSACHUSETTS
32 Hartwell Ave.
Lexington 02173
Tel: (617) 851-6580
TWX: 710-326-8904
MICHIGAN
23855 Research Drive
Farmington Hills 48024
Tel: (313) 476-8400
724 West Centre Ave.
Kalamazoo 49002
Tel: (606) 323-8362

MINNESOTA
2401 N. Prior Ave.
St. Paul 55113
Tel: (612) 836-0700
MISSISSIPPI
322 N. Mart Plaza
Jackson 39201
Tel: (601) 982-9363
MISSOURI
11131 Colorado Ave.
Kansas City 64137
Tel: (816) 763-8000
TWX: 910-771-2087
2415 Heinz Road
Lowa City 52240
Tel: (319) 338-9466
1024 Executive Parkway
St. Louis 63141
Tel: (314) 878-0200
NEBRASKA
Medical Only
701 Mercy Road
Suite 101
Omaha 68106
Tel: (402) 392-0948
NEVADA
Las Vegas
Tel: (702) 736-6610
NEW JERSEY
120 Century Rd.
Paramus 07652
Tel: (201) 265-5000
Tel: 710-980-4561
Crystal Brook Professional
Building, Route 35
Eatontown 07724
Tel: (201) 542-1384
NEW MEXICO
P.O. Box 11634
Albuquerque
E 11300 Lomas Blvd., N.E.
Albuquerque 87123
Tel: (505) 282-1330
Tel: 910-689-1185
556 Wyatt Drive
Las Cruces 89001
Tel: (505) 526-2484
TWX: 910-9883-9550

NEW YORK
6 Automation Lane
Computer Park
Albany 12205
Tel: (618) 458-1550
TWX: 710-444-4961
65 Perinton Hill Office Park
Fairport 14450
Tel: (716) 223-9950
TWX: 510-253-0092
No. 1 Pennsylvania Plaza
35th floor
34th Street & 8th Avenue
New York 10001
Tel: (212) 971-0800
5859 East Molloy Road
Syracuse 13211
Tel: (315) 455-2486
1 Crossways Park West
Woodbury 11797
Tel: (516) 921-0300
% Costa Brava, 13
Madrid 34
Tel: (02) 1711 80
Hewlett-Packard Española, S.A.
Milaneseo 21-23
E-Barcelona 17
Tel: (3) 203 6200 (5 lines)

OREGON
17890 SW Lower Boones
Ferry road
Tualatin 97062
Tel: (503) 620-3350
PENNSYLVANIA
111 Zeta Drive
Pittsburgh 15238
Tel: (412) 782-0400
Tel: 1021 8th Avenue
King of Prussia Industrial Park
King of Prussia 19406
Tel: (215) 265-7000
TWX: 510-680-2670
Tel: (212) 971-0800
PUERTO RICO
Hewlett-Packard Inter-Americas
Puerto Rico Branch Office
Calle 272,
Edif. 203 Urb. Country Club
Carolina 00924
Tel: (809) 762-7255
Tel: 345 0514
SOUTH CAROLINA
P.O. Box 6442
6941-N N. Trenholm Road
Columbia 29200
Tel: (803) 782-6493
TENNESSEE
8914 Kingston Pike
Knoxville 37922
Tel: (615) 523-0522
3027 Vanguard Dr.
Director's Plaza
Memphis 38131
Tel: (901) 346-8370
Nashville
Medical Service only
Tel: (615) 454-5448
TEXAS
4171 North Mesa
Suite C110
El Paso 79902
Tel: (915) 533-3555
Tel: (405) 712-4200
9820 E. 42nd Street
Suite 121
Tulsa 74145

P.O. Box 42816
10535 Harwin Dr.
Houston 77036
Tel: (713) 776-6400
Lubbock
Medical Service only
Tel: (806) 799-4474
205 Billy Mitchell Road
San Antonio 78226
Tel: (512) 434-8241
UTAH
1280 South 3270 West Street
Salt Lake City 84119
Tel: (801) 972-4711
VIRGINIA
P.O. Box 12778
Norfolk 23502
Tel: (804) 460-2671
P.O. Box 9669
2914 Hungary Springs Road
Richmond 23229
Tel: (804) 285-3431
WASHINGTON
Ballfield Office Bk.
1203-114th Ave. S.E.
Bellevue 98004
Tel: (206) 545-3947
TWX: 910-443-2476
P.O. Box 4010
Spokane 99202
Tel: (509) 535-0864
WEST VIRGINIA
Medical/Analytical Only
Charleston
Tel: (804) 345-1640
WISCONSIN
9004 West Lincoln Ave.
West Allis 53227
Tel: (414) 541-0550
FOR U.S. AREAS NOT LISTED:
Contact the regional office
nearest you: Atlanta, Georgia...
North Hollywood, California...
Rockville, Maryland...
Rolling Meadows, Illinois. Their complete
addresses are listed above.

Part No. 30020-90001
Printed in U.S.A. 10/79
DCOM.030/040.30020-90001



Sales and service from 172 offices in 65 countries.
5303 Stevens Creek Blvd., Santa Clara, California 95050